



Wattage & Color Temperature  
**SELECTABLE**

# T851LEDB

ROUND CUT-OFF BOLLARD WITH INNER WALL

## JOB INFORMATION

Type: \_\_\_\_\_  
 Catalog No: \_\_\_\_\_  
 Project Name: \_\_\_\_\_  
 Comments: \_\_\_\_\_  
 Prepared by: \_\_\_\_\_

**T851LEDB**

### USE OF PRODUCT

The intended use of this product is for pathways, parking lots, plazas, entrance ways, parks, and as landscape accents.

### HOUSING

Extruded aluminum housing with flush mounting base.

### FINISH

Weather resistant, matte-finished powder coat process for advanced protection in severe environments over a precise chromate conversion coating. Available in standard dark polyester bronze finish for impact, corrosion, and UV resistance. Consult factory for made to order architectural finishes.

### OPTICS

LED engine allows for color temperature selectability. Available in 3000K, 4000K, or 5000K. Color temperature may be modified in the field or preset by factory. LED mounted to aluminum heat sink for maximum life output and thermal management. LED color rendering index is 70+ CRI.

### DRIVER

Durable and long lasting LED driver operates at 120-277V and boasts a 90% power factor at 50 to 60 Hz with 0-10V Dimming Constant Current. Fixture is wattage selectable (14W, 19W, 24W). Watts may be modified in the field or preset by factory. -40°C Min Temp to 50°C Max Temp.

### CONTROLS

Fixture may be controlled by photocell.

### MOUNTING

- Mounting kit with anchor bolts are included.
- Bollard must be mounted on a concrete base. (Supplied by others)

### LISTINGS/COMPLIANCE

- UL - Listed for wet location (IP65)



## WATTAGE/LUMEN CHART

Wattage	Delivered Lumens	CCT Selectable	CRI
14W	1400lm	3000K, 4000K, 5000K	>70
19W	1900lm	3000K, 4000K, 5000K	>70
24W	2400lm	3000K, 4000K, 5000K	>70

## ORDERING INFO

SERIES	WATTAGE	VOLTAGE	COLOR TEMPERATURE	FINISH	OPTIONS
<b>T851LEDB</b>	<b>WS24</b> - Wattage Selectable (14W, 19W, 24W) <b>S14W</b> - Set at 14W <b>S19W</b> - Set at 19W <b>S24W</b> - Set at 24W	<b>UNV</b> - 120V-277V	<b>CTS</b> - Color Temperature Selectable (3000K, 4000K, 5000K) <b>S30K</b> - Set at 3000K <b>S40K</b> - Set at 4000K <b>S50K</b> - Set at 5000K	<b>BZ</b> <sup>1</sup> - Bronze <b>MTO</b> <sup>2</sup> - Made to Order <b>MGTO</b> <sup>2</sup> - Marine Grade Made To Order	<b>PC</b> - Photocell 120-277V <b>EM4W</b> - Emergency Battery 4W <b>CEM15W</b> - Cold Pack Emergency Battery <b>HSS</b> - 180° Shield <b>SDT</b> - 347/480 Stepdown Transformer <b>TRS</b> - Tamper Resistant Screw <b>BRBK</b> - Bollard Retrofit Base Kit <b>MTOH</b> - Made to Order Height

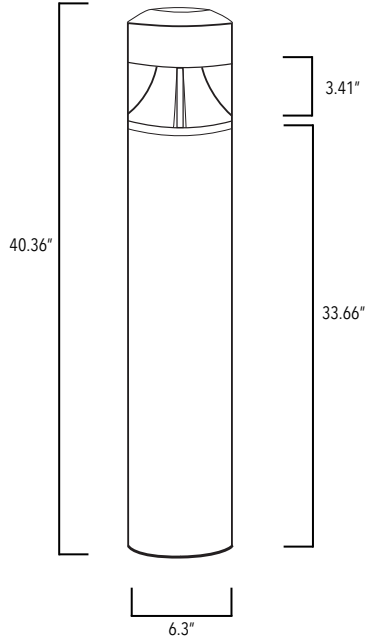
### Notes

1. Standard finish.
2. RAL number required.

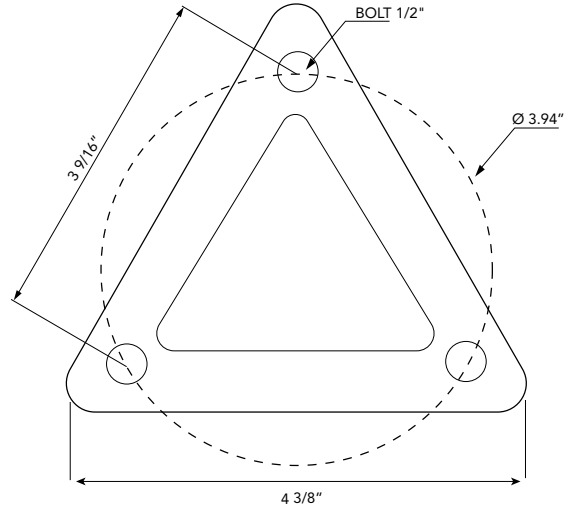
# T851LEDB

## ROUND CUT-OFF BOLLARD WITH INNER WALL

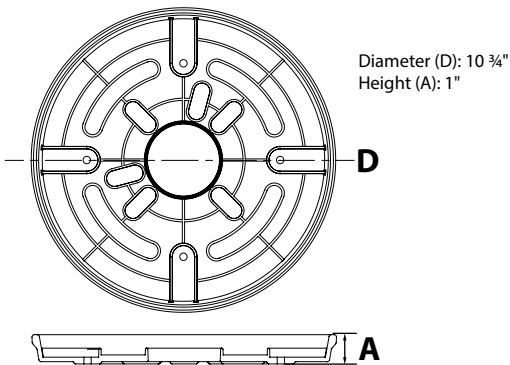
### BOLLARD DIMENSIONS



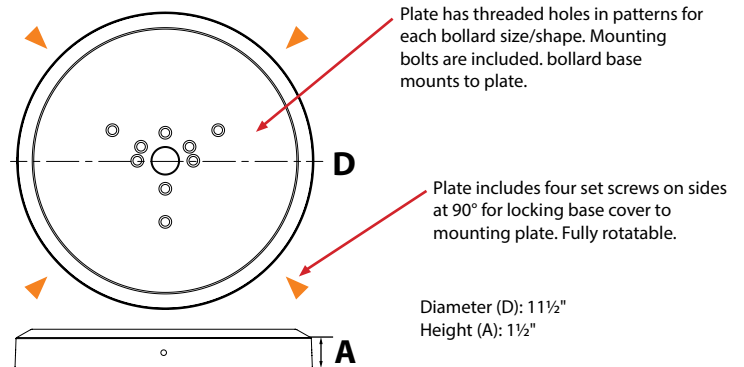
### ANCHOR PLATE DIMENSIONS



### BRBK BASE DIMENSIONS



### BRBK COVER DIMENSIONS



# T851LEDB

## ROUND CUT-OFF BOLLARD WITH INNER WALL

### BASE KIT INCLUDES

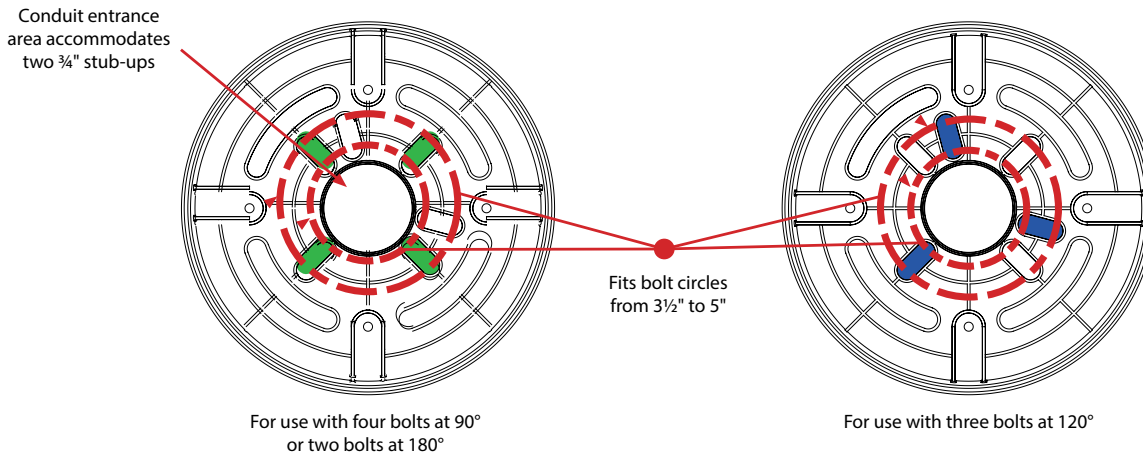
#### Heavy duty die cast aluminum Anchor Bolt Retrofit Adaptor Plate

- Includes slots for existing anchor bolt mounting, 3@120°, 4@90° or 2@180° (3.5" to 5" diameter bolt circle). Slots can accommodate 1/4" to 3/8" diameter anchor bolts.
- Includes large diameter slots for installing field drilled anchors (not included) in the event that the existing anchor bolt pattern does not fit slots or anchor bolts are damaged or unusable.
- Includes 4 Stainless Steel leveling bolts with two leveling bubbles at 90° to level base prior to mounting new bollards.
- Center conduit entrance hole designed to accommodate two 3/4" PVC conduits.

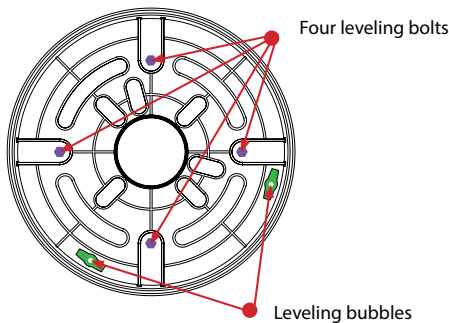
#### Heavy duty die cast aluminum Bollard Mounting Cover Plate

- Includes threaded holes in patterns to match bollard base mounting plates.
- Stainless Steel bolts for mounting bollard base plate.
- 4 Stainless Steel set screws at 90° for securing the cover plate to the adaptor plate. Cover plate can be rotated 360°. Powdercoat finish over chromate conversion coating in Bronze (standard) and available in made to order.

### ANCHOR BOLT RETROFIT ADAPTER PLATE BOLT CIRCLES FOR USE WITH THE EXISTING ANCHOR BOLTS



### BASE LEVELING AND LEVELS



### CIRCLE FOR DRILLED ANCHORS

