



Wattage & Color Temperature
SELECTABLE

T851LEDB

ROUND CUT-OFF BOLLARD WITH INNER WALL

JOB INFORMATION

Type: _____
 Catalog No: _____
 Project Name: _____
 Comments: _____
 Prepared by: _____

T851LEDB

USE OF PRODUCT

The intended use of this product is for pathways, parking lots, plazas, entrance ways, parks, and as landscape accents.

HOUSING

Extruded aluminum housing with flush mounting base.

FINISH

Weather resistant, matte-finished powder coat process for advanced protection in severe environments over a precise chromate conversion coating. Available in standard dark polyester bronze finish for impact, corrosion, and UV resistance. Consult factory for made to order architectural finishes.

OPTICS

High-performance LED engine features field-selectable or factory-preset CCT (3000K, 4000K, or 5000K) at 70+ CRI. Integrated quad-zone switching allows for versatile distribution patterns including 90°, 180°, 270°, 360°, and 90°X (Opposite). LEDs are mounted to a precision-engineered aluminum heat sink to ensure optimal thermal management and maximum lumen maintenance.

DRIVER

Durable and long lasting LED driver operates at 120-277V and boasts a 90% power factor at 50 to 60 Hz with 0-10V Dimming Constant Current. Fixture is wattage selectable (14W, 19W, 24W). Watts may be modified in the field or preset by factory. -40°C Min Temp to 50°C Max Temp.

CONTROLS

Fixture may be controlled by photocell.

MOUNTING

- Mounting kit with anchor bolts are included.
- Bollard must be mounted on a concrete base. (Supplied by others)

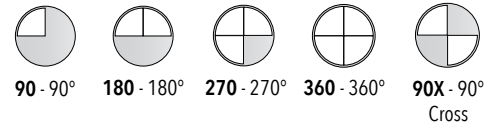
LISTINGS/COMPLIANCE

- UL - Listed for wet location (IP65)

WATTAGE/LUMEN CHART

Wattage	Lumens	CCT Selectable	CRI
14W	1400lm	3000K, 4000K, 5000K	>70
19W	1900lm	3000K, 4000K, 5000K	>70
24W	2400lm	3000K, 4000K, 5000K	>70

ACHIEVABLE PATTERNS



ORDERING INFO

SERIES	WATTAGE	VOLTAGE	COLOR TEMPERATURE	DISTRIBUTION
T851LEDB	WS24 - Wattage Selectable (14W, 19W, 24W)	UNV - 120V-277V	CTS - Color Temperature Selectable (3000K, 4000K, 5000K)	DS - Distribution Selectable (90, 180, 270, 360, 90X)
	S14W - Set at 14W		S30K - Set at 3000K	S90 - Set at 90°
	S19W - Set at 19W		S40K - Set at 4000K	S180 - Set at 180°
	S24W - Set at 24W		S50K - Set at 5000K	S270 - Set at 270°
				S360 - Set at 360°
				S90X - Set at 90° Cross

FINISH

- BZ¹ - Bronze
- MTO² - Made to Order
- MGTO² - Marine Grade Made To Order

OPTIONS

- PC - Photocell 120-277V
- EM4W - Emergency Battery 4W
- CEM15W - Cold Pack Emergency Battery
- SDT - 347/480 Stepdown Transformer
- TRS - Tamper Resistant Screw
- BRBK - Bollard Retrofit Base Kit
- MTOH - Made to Order Height

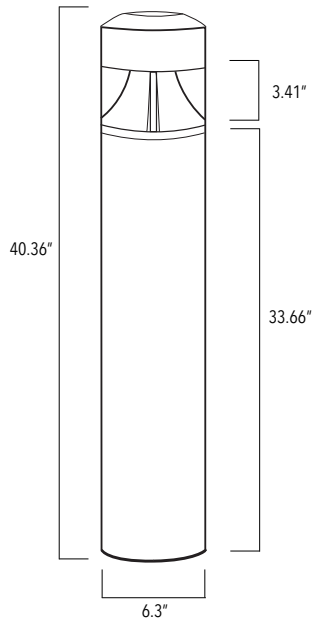
Notes

1. Standard finish.
2. RAL number required.

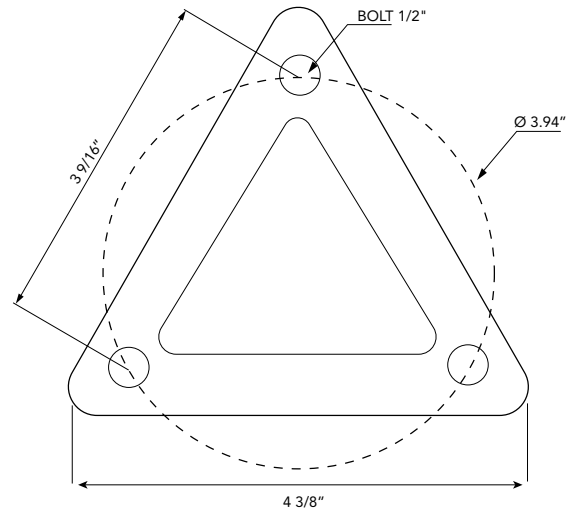
T851LEDB

ROUND CUT-OFF BOLLARD WITH INNER WALL

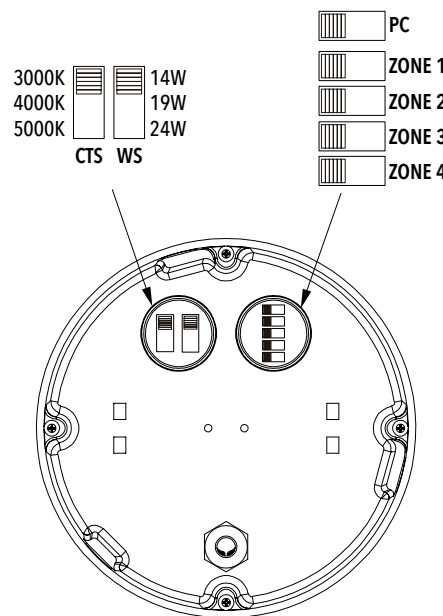
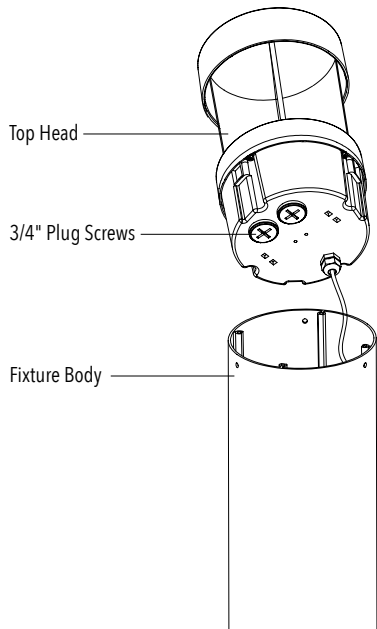
BOLLARD DIMENSIONS



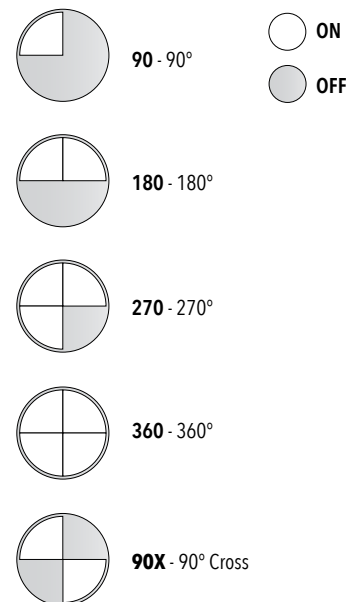
ANCHOR PLATE DIMENSIONS



WATTAGE SELECTABLE, COLOR TEMPERATURE SELECTABLE, DISTRIBUTION SELECTABLE



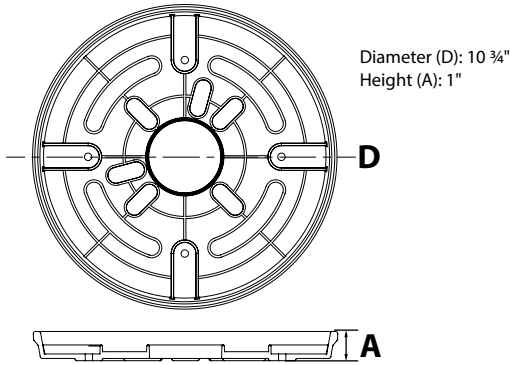
ACHIEVABLE PATTERNS



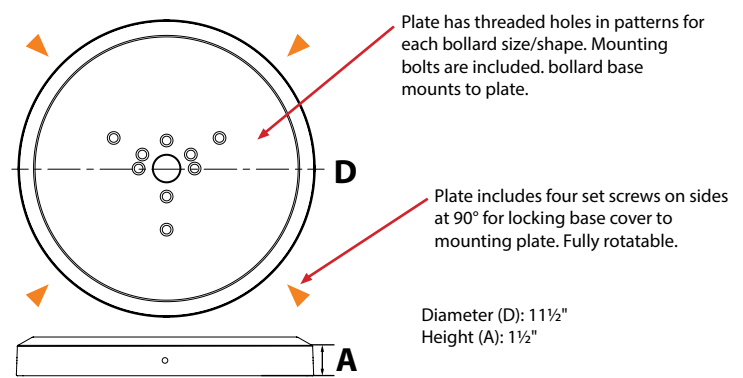
T851LEDB

ROUND CUT-OFF BOLLARD WITH INNER WALL

BRBK BASE DIMENSIONS



BRBK COVER DIMENSIONS



BASE KIT INCLUDES

Heavy duty die cast aluminum Anchor Bolt Retrofit Adaptor Plate

- Includes slots for existing anchor bolt mounting, 3@120°, 4@90° or 2@180° (3.5" to 5" diameter bolt circle). Slots can accommodate 1/4" to 3/8" diameter anchor bolts.
- Includes large diameter slots for installing field drilled anchors (not included) in the event that the existing anchor bolt pattern does not fit slots or anchor bolts are damaged or unusable.
- Includes 4 Stainless Steel leveling bolts with two leveling bubbles at 90° to level base prior to mounting new bollards.
- Center conduit entrance hole designed to accommodate two 3/4" PVC conduits.

Heavy duty die cast aluminum Bollard Mounting Cover Plate

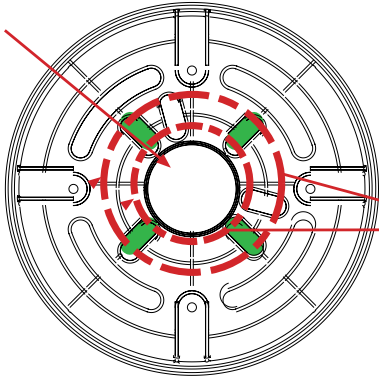
- Includes threaded holes in patterns to match bollard base mounting plates.
- Stainless Steel bolts for mounting bollard base plate.
- 4 Stainless Steel set screws at 90° for securing the cover plate to the adapter plate. Cover plate can be rotated 360°. Powdercoat finish over chromate conversion coating in Bronze (standard) and available in made to order.

T851LEDB

ROUND CUT-OFF BOLLARD WITH INNER WALL

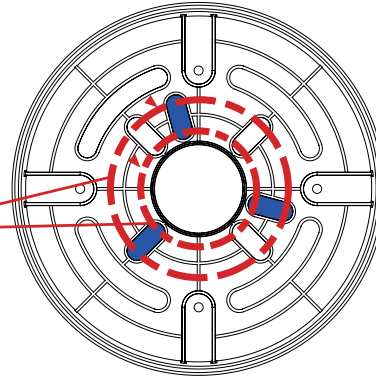
ANCHOR BOLT RETROFIT ADAPTER PLATE BOLT CIRCLES FOR USE WITH THE EXISTING ANCHOR BOLTS

Conduit entrance area accommodates two 3/4" stub-ups



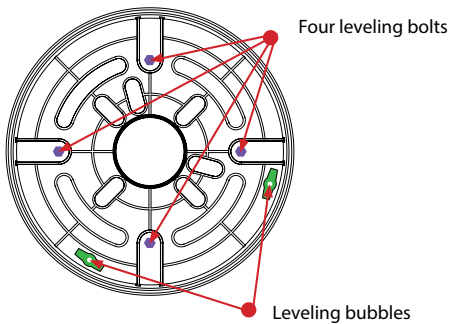
For use with four bolts at 90° or two bolts at 180°

Fits bolt circles from 3 1/2" to 5"

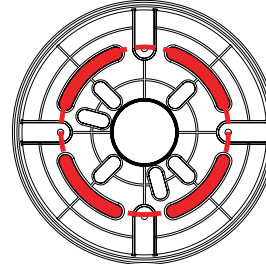


For use with three bolts at 120°

BASE LEVELING AND LEVELS



CIRCLE FOR DRILLED ANCHORS



6 1/2" bolt circle for drilled anchors. Used when existing anchor bolts do not fit four bolt or three bolt slot or are damaged. These must be cut off and new drilled anchors installed.