



# T393LED

LED DOME TOP SPIDER LUMINAIRE

## JOB INFORMATION

Type: \_\_\_\_\_  
 Catalog No: \_\_\_\_\_  
 Project Name: \_\_\_\_\_  
 Comments: \_\_\_\_\_  
 \_\_\_\_\_  
 Prepared by: \_\_\_\_\_

T393LED

### FEATURES

#### Use of Product

The intended use of this product is for parking lots, walkways, shopping centers, recreational areas, or any open outdoor commercial or industrial space.

#### Housing

Weather tight unit fabricated from one-piece spun aluminum .08" thick, continuous heliarc welded at all seams. It features stainless steel external hardware. The decorative reveal is a standard feature. This fixture is also available without the reveal. All models feature a .125" ballast plate and a .250" reinforcing plate for arm attachment. The door frame is spun from .080" thick aluminum and is secured by two stainless steel captive screws for easy maintenance. The door opens on heavily duty radius hinges.

#### Fixture Arm

Spider mount (four legs).

#### Finish

Thermoset polyester oven-baked powdercoat, in any standard color. Made to order colors available to your specification.

#### Optics

A one-piece hydro form or segmented reflector with specular aluminum finish.

#### LED

High output LEDs offer a minimum estimated operating life of 50,000 hours in 3000K, 3500K, 4000K, or 5000K with CRI>83. LEDs placed on high performance aluminum heatsink for reduced junction temperatures and extended life.

#### EPA

Effective Projected Area (Sq. Ft.):  
 Type A: 1.950 ft<sup>2</sup> (1 fixture),  
 Type B: 2.750 ft<sup>2</sup> (1 fixture)

#### Driver

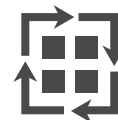
Durable LED driver operates at 120-277V with 0-10V dimming protocol. Power factor: 0.90; 50 to 60 Hz. Driver protections includes: Output open load, over-current and short-circuit, and over-temperature with auto recovery. -30°C Min Temp. 40°C Max Temp. Step down transformer may be utilized for 480V or 347V applications.

#### Mounting

Fixture pole must be mounted on a concrete base (supplied by others).

#### Listings/compliance

- CEC Compliant emergency driver
- CSA - Suitable for wet locations.
- Dark Sky Compliant



Rotatable Optics

SERIES	DIAMETER	WATT/LUMENS	COLOR TEMPERATURE	VOLTAGE	DISTRIBUTION TYPES
T393LED	20 - 20"	10W <sup>1</sup> - 10W/1110lm	30K - 3000K	UNV - 120V-277V	T1 - Type I
		20W <sup>1</sup> - 20W/2220lm	35K - 3500K	347V - 347V	T2 - Type II
	24 - 24"	30W <sup>1</sup> - 30W/3330lm	40K - 4000K	480V - 480V	T3 - Type III
		40W <sup>1</sup> - 40W/4350lm	50K - 5000K		T4 - Type IV
		58W <sup>1,2</sup> - 58W/6050lm		T5 <sup>3</sup> - Type V	
		84W <sup>1,2</sup> - 84W/8756lm			
		119W <sup>1,2</sup> - 119W/12354lm			
		170W <sup>2</sup> - 170W/17510lm			
		240W <sup>2</sup> - 240W/25540lm			

### FINISH

BZ<sup>4</sup> - Bronze  
 MTO<sup>5</sup> - Made to order  
 MGT<sup>5</sup> - Marine grade made to order

### OPTIONS

PC - Photocell 120-277V  
 EM8 - Emergency battery(10W-58W Watt Range)  
 EM20 - Emergency battery(85W-225W Watt Range)  
 SP10 - Surge Protection 10KV  
 HSS - House side shield  
 MSR - Standard PIR remote motion sensor  
 MFR - FSP311 PIR remote motion sensor

### Notes

1. Available in size A.
2. Available in size B.
3. Standard distribution types.
4. Standard finish.
5. RAL number required.

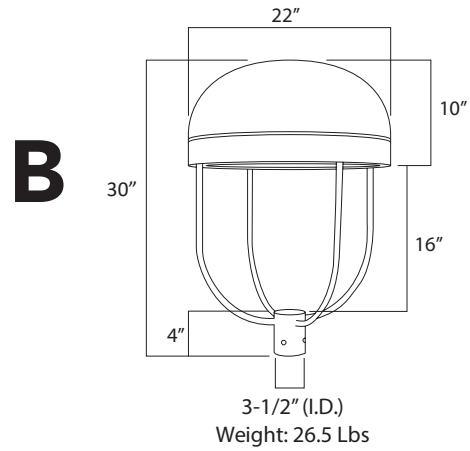
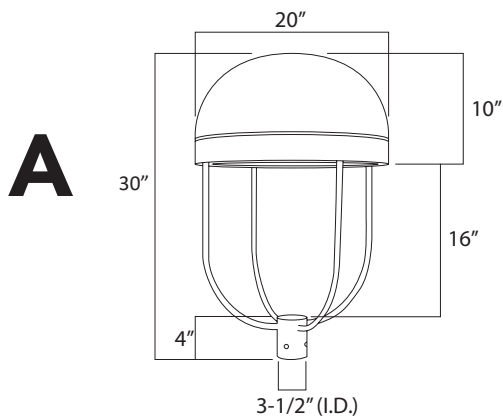
# T393LED

## LED DOME TOP SPIDER LUMINAIRE

### B.U.G. RATING

	T1 Optic	T2 Optic	T3 Optic	T4 Optic	T5 Optic
T393LED-A-20	B1-U0-G1	B1-U0-G1	B0-U0-G1	B1-U0-G1	B1-U0-G0
T393LED-A-30	B2-U0-G2	B1-U0-G1	B1-U0-G1	B1-U0-G1	B2-U0-G0
T393LED-A-40	B2-U0-G2	B1-U0-G2	B1-U0-G1	B1-U0-G1	B2-U0-G1
T393LED-A-58	B3-U0-G3	B2-U0-G2	B1-U0-G2	B1-U0-G2	B3-U0-G1
T393LED-A-83	B3-U0-G3	B2-U0-G2	B1-U0-G2	B2-U0-G2	B3-U0-G1
T393LED-A-119	B3-U0-G3	B2-U0-G3	B2-U0-G2	B2-U0-G2	B3-U0-G2

### DIMENSIONS



### ROTATABLE OPTICS

