



VERSA COMMERCIAL

RVC6-FN-DW | 6" LED COMMERCIAL DOWNLIGHT DOUBLE SIDEKICK WALL WASH NEW CONSTRUCTION

JOB INFORMATION

Type: _____
 Catalog No: _____
 Project Name: _____
 Comments: _____
 Prepared by: _____

RVC6-FN-DW

FEATURES

USE OF PRODUCT

The 6" Versa Commercial LED Downlight Double Sidekick Wall Wash New Construction is the ideal product for energy efficient lighting in Non-IC New Construction commercial applications. Available with interchangeable reflectors and trims, with an assortment of color temperatures, lenses, filters and dimmable driver options.

VERSA

- Color Temperature: 2700K, 3000K, 3500K, or 4000K
- SDCM: 2 step binning
- Color Rendering Index: 93+ CRI
- R9: 60+
- Filters: Solite, frosted, or honeycomb
- LED Life: 50,000 Hours
- LED Type: Cree LED
- Driver Info: 120/277V, 50/60 Hz, PF>0.9, THD<0.20
- Versatility: Interchangeable reflector/trim, optics & filters

LED ENGINE

LED engine available with Cree LEDs in 2700K, 3000K, 3500K, or 4000K in standard 93+ CRI. 2 Step MacAdam ellipse allows for color consistency between fixtures. LED mounted to aluminum heat sink for maximum life output and thermal management.

FRAME CONSTRUCTION

Constructed from 16 gauge heavy duty powder coated cold rolled steel frame with a large access junction box.

OPTICS (Field Replaceable)

Field replaceable optical lens available in 24°, 36°, and 50°. Easily achieve narrow spot to wide flood beam pattern.

FILTER ACCESSORIES

A multitude of filter accessories are available to achieve a particular light effect. Available in frosted, honeycomb or solite filter (1 filter only).

DIMMING

Intelligent Drive all-inclusive ELV (120V), Triac (120V), and 0-10V (120/277V) dimming driver.

EMERGENCY BATTERY

Optional emergency battery available for a minimum of 90 minutes with both integral or remote test switch available in 8W or 15W.

INSTALLATION

Non-IC housing. Insulation must be kept at least 3" away from fixture.

LABELS/COMPLIANCE/WARRANTY

- CSA Listed for US and Canada (Wet Location).
- 5 year limited warranty.



ORDERING INFORMATION

Series	Wattage	Dimming	Color Temperature	Filter	Housing Type
RVC6DW-24	6W - 6 Watt	ID - Standard All-Inclusive ELV(120V), Triac(120V), and 0-10V(120-277V) Dimming Driver (Intelligent Drive) LDE1 - Lutron Hi-Lume 1% Ecosystem with Soft-on, Fade-to-Black Dimming L3DA - Hi-lume 1% EcoSystem/3-Wire L3D Driver EEI - eldoLED Eco 1% Dim (0-10V) EDIO - eldoLED Solo 0.1% Dim (0-10V) EDID - eldoLED Solo 0.1% Dim (DALI)	27K - 2700K	None - Included	FN - New Construction
RVC6DW-36	9W - 9 Watt		30K - 3000K	F - Frosted	
RVC6DW-50	12W - 12 Watt		35K - 3500K	H - Honey Comb	
	15W - 15 Watt		40K - 4000K	S - Solite	
	20W - 20 Watt				
	24W - 24 Watt				
	28W - 28 Watt				
	32W - 32 Watt				
	33W - 33 Watt				
	35W - 35 Watt				
	40W - 40 Watt				
	48W - 48 Watt				
	56W - 56 Watt				

Notes

1. Consult factory.

Double Wall Wash Trim

- 6TWD - White
- 6TSD - Specular Clear
- 6THD - Haze
- 6TBD - Black
- MTO - Made To Order

Frame Accessories

- UH - Universal Bar Hanger
- C - C-Channel Bar Hanger

Options

- ER8W - 8W Emergency Battery with Remote Switch (800 lm)
- ER15W - 15W Emergency Battery with Remote Switch (1500 lm)
- SDT - 347V Step Down Transformer
- WL - Wet Location
- LAW¹ - Lutron Athena Wireless Node



RVC6-FN-DW

6" LED COMMERCIAL DOWNLIGHT DOUBLE SIDEKICK WALL WASH NEW CONSTRUCTION

PERFORMANCE CHART

	Optics	24°	36°	50°
6W	Initial Lumens	955	955	955
	Delivered Lumens	759	762	709
9W	Initial Lumens	1296	1296	1296
	Delivered Lumens	1035	1039	966
12W	Initial Lumens	1618	1618	1618
	Delivered Lumens	1299	1305	1213
15W	Initial Lumens	2015	2015	2015
	Delivered Lumens	1584	1593	1481
20W	Initial Lumens	2422	2422	2422
	Delivered Lumens	1931	1942	1805
24W	Initial Lumens	2799	2799	2799
	Delivered Lumens	2265	2281	2118
28W	Initial Lumens	3128	3128	3128
	Delivered Lumens	2637	2623	2433
32W	Initial Lumens	3405	3405	3405
	Delivered Lumens	2909	2949	2722
33W	Initial Lumens	4090	4090	4090
	Delivered Lumens	3384	3448	3193
35W	Initial Lumens	4626	4626	4626
	Delivered Lumens	3742	3822	3537
40W	Initial Lumens	4967	4967	4967
	Delivered Lumens	4087	4180	3867
48W	Initial Lumens	5765	5765	5765
	Delivered Lumens	4757	4872	4504
56W	Initial Lumens	6472	6472	6472
	Delivered Lumens	5365	5499	5082

* Values are listed at 3000K, 90+ CRI with a white bevel & trim.

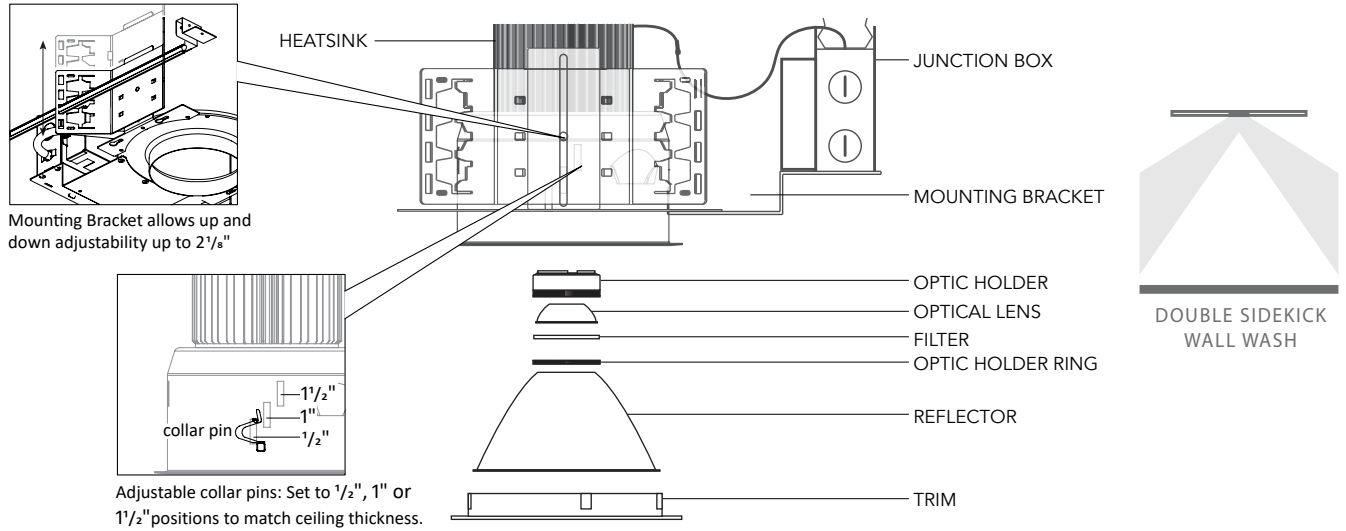
COLOR TEMPERATURE MULTIPLIER FOR DELIVERED LUMENS

2700K	3000K	3500K	4000K
0.95	1.00	1.04	1.07

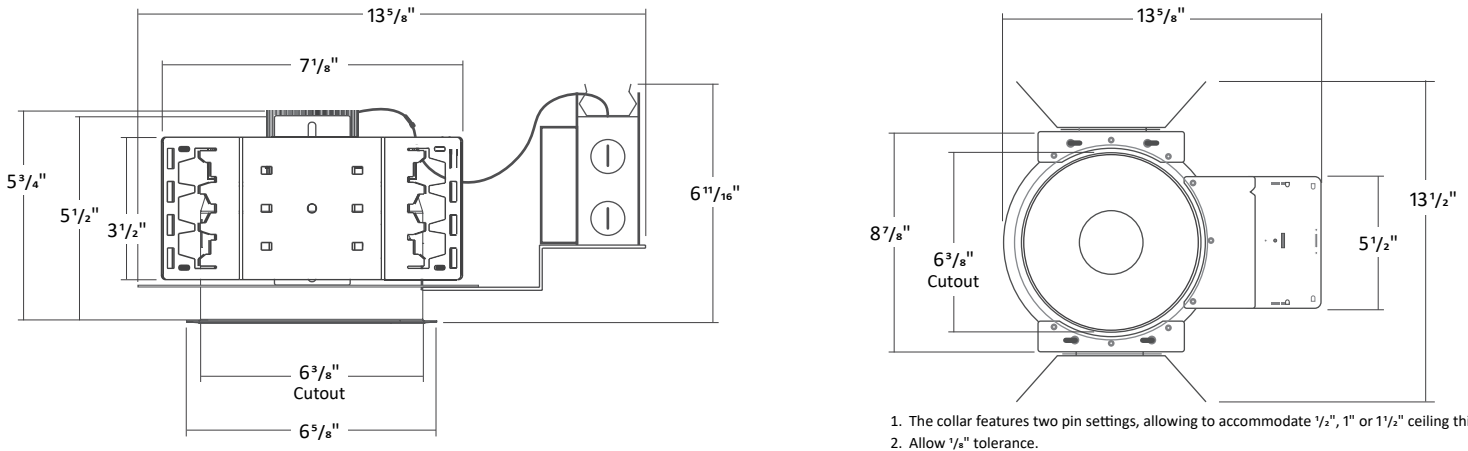
RVC6-FN-DW

6" LED COMMERCIAL DOWNLIGHT DOUBLE SIDEKICK WALL WASH NEW CONSTRUCTION

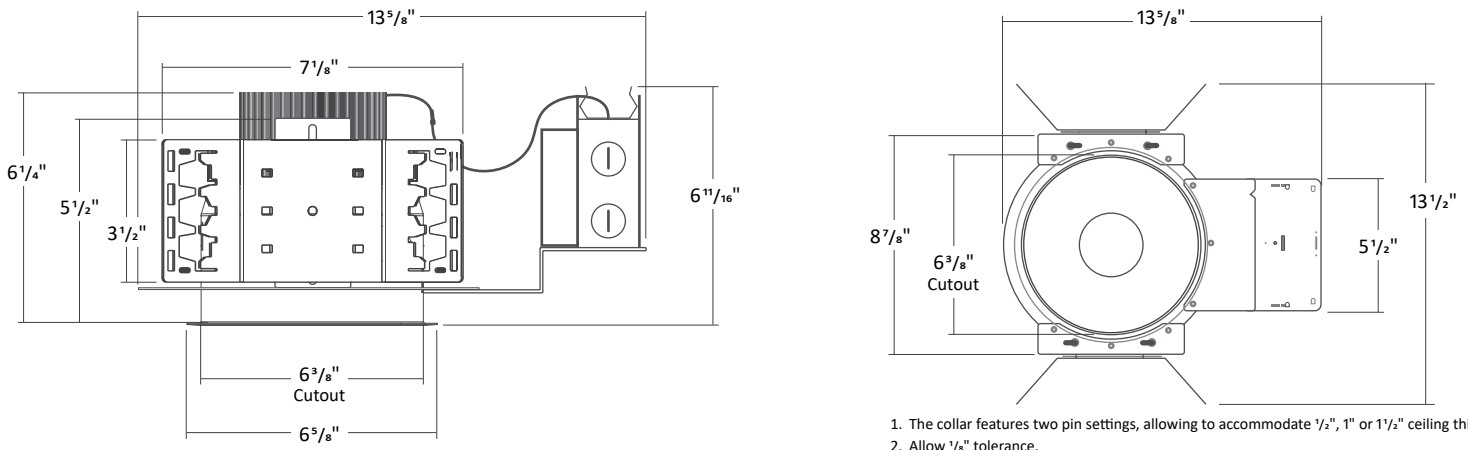
RVC6-FN-DW ANATOMY



RVC4-FN-DW DIMENSIONS 6W-20W



RVC4-FN-DW DIMENSIONS 24W-56W



RVC6-DW

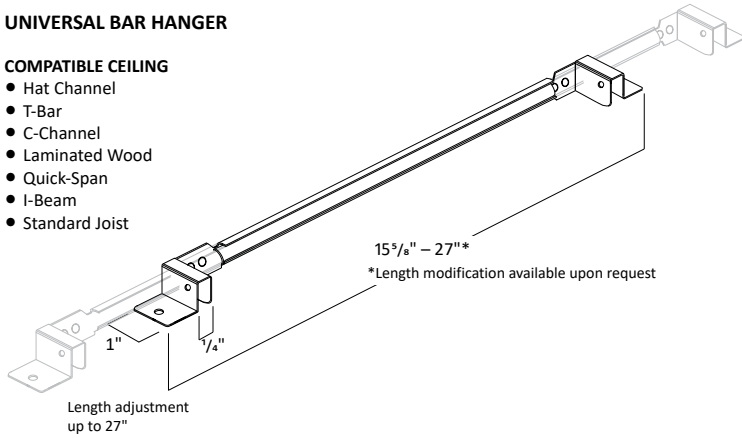
6" LED COMMERCIAL DOWNLIGHT DOUBLE SIDEKICK WALL WASH NEW CONSTRUCTION

FRAME ACCESSORIES

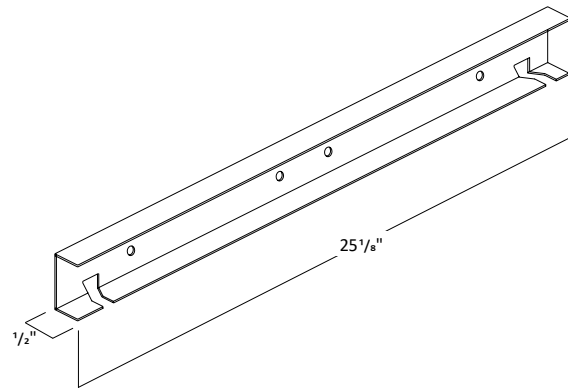
UNIVERSAL BAR HANGER

COMPATIBLE CEILING

- Hat Channel
- T-Bar
- C-Channel
- Laminated Wood
- Quick-Span
- I-Beam
- Standard Joist



C-CHANNEL BAR HANGER



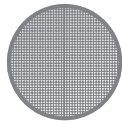
FILTERS



Frosted Filter

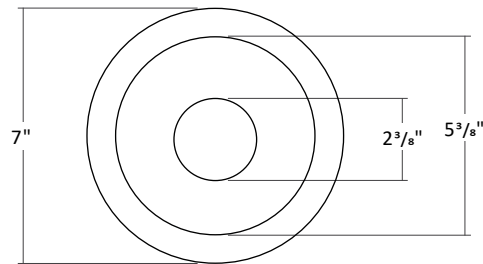
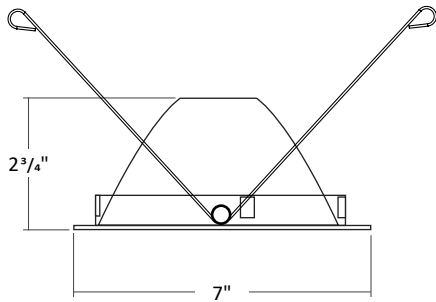


Honey Comb



Solite Filter

REFLECTOR / TRIM DIMENSIONS



TRIM FINISH



White



Specular Clear



Haze



Black

*Consult Factory for Made to Order Finishes