



# VERSA COMMERCIAL

RVC4-FN-SW | 4" LED COMMERCIAL DOWNLIGHT SINGLE SIDEKICK WALL WASH NEW CONSTRUCTION

## JOB INFORMATION

Type: \_\_\_\_\_  
 Catalog No: \_\_\_\_\_  
 Project Name: \_\_\_\_\_  
 Comments: \_\_\_\_\_  
 Prepared by: \_\_\_\_\_

RVC4-FN-SW

## FEATURES

### USE OF PRODUCT

The 4" Versa Commercial LED Downlight Single Wall Wash is the ideal product for energy efficient lighting in Non-IC New Construction commercial applications. Available with interchangeable reflectors and trims, with an assortment of color temperatures, lenses, filters and dimmable driver options.

### VERSA

- Color Temperature: 2700K, 3000K, 3500K, or 4000K
- SDCM: 2 step binning
- Color Rendering Index: 93+ CRI
- R9: 60+
- Filters: Solite, frosted, or honeycomb
- LED Life: 50,000 Hours
- LED Type: Cree LED
- Driver Info: 120/277V, 50/60 Hz, PF>0.9, THD<0.20
- Versatility: Interchangeable reflector/trim, optics & filters

### LED ENGINE

LED engine available with Cree LEDs in 2700K, 3000K, 3500K, or 4000K in standard 93+ CRI. 2 Step MacAdam ellipse allows for color consistency between fixtures. LED mounted to aluminum heat sink for maximum life output and thermal management.

### FRAME CONSTRUCTION

Constructed from 16 gauge heavy duty powder coated cold rolled steel frame with a large access junction box.

### OPTICS (Field Replaceable)

Field replaceable optical lens available in 24°, 36°, and 50°. Easily achieve narrow spot to wide flood beam pattern.

### FILTER ACCESSORIES

A multitude of filter accessories are available to achieve a particular light effect. Available in frosted, honeycomb or solite filter (1 filter only).

### DIMMING

Intelligent Drive all-inclusive ELV (120V), Triac (120V), and 0-10V (120/277V) dimming driver.

### EMERGENCY BATTERY

Optional emergency battery available for a minimum of 90 minutes with both integral or remote test switch available in 8W or 15W.

### INSTALLATION

Non-IC housing. Insulation must be kept at least 3" away from fixture.

### LABELS/COMPLIANCE/WARRANTY

- CSA Listed for US and Canada (Wet Location)
- 5 year limited warranty.



## ORDERING INFORMATION

Series	Wattage	Dimming	Color Temperature	Filter	Housing Type
RVC4SW-24	6W - 6 Watt	ID - Standard All-Inclusive ELV(120V), Triac(120V), and 0-10V(120-277V) Dimming Driver (Intelligent Drive)	27K - 2700K	None - Included	FN - New Construction
RVC4SW-36	9W - 9 Watt		30K - 3000K	F - Frosted	
RVC4SW-50	12W - 12 Watt	LDE1 - Lutron Hi-Lume 1% Ecosystem with Soft-on, Fade-to-Black Dimming L3DA - Hi-lume 1% EcoSystem/3-Wire L3D Driver EEI - eldoLED Eco 1% Dim (0-10V) EDIO - eldoLED Solo 0.1% Dim (0-10V) EDID - eldoLED Solo 0.1% Dim (DALI)	35K - 3500K	H - Honey Comb	
	15W - 15 Watt		40K - 4000K	S - Solite	
	20W - 20 Watt				
	24W - 24 Watt				
	28W - 28 Watt				
	32W - 32 Watt				
	33W - 33 Watt				
	35W - 35 Watt				
	40W - 40 Watt				
	48W - 48 Watt				
	56W - 56 Watt				

Single Wall Wash Trim Finish	Frame Accessories	Options	Notes
4TWS - White	UH - Universal Bar Hanger	ER8W - 8W Emergency Battery with Remote Switch (800 lm)	1. Consult factory.
4TSS - Specular Clear	C - C-Channel Bar Hanger	ER15W - 15W Emergency Battery with Remote Switch (1500 lm)	
4THS - Haze		SDT - 347V Step Down Transformer	
4TBS - Black		WL - Wet Location	
MTO - Made To Order		LAW <sup>2</sup> - Lutron Athena Wireless Node	



# RVC4-FN-SW

4" LED COMMERCIAL DOWNLIGHT SINGLE SIDEKICK WALL WASH NEW CONSTRUCTION

## PERFORMANCE CHART

	Optics	24°	36°	50°
6W	Initial Lumens	955	955	955
	Delivered Lumens	756	753	697
9W	Initial Lumens	1296	1296	1296
	Delivered Lumens	1029	1026	949
12W	Initial Lumens	1618	1618	1618
	Delivered Lumens	1291	1288	1190
15W	Initial Lumens	2015	2015	2015
	Delivered Lumens	1574	1573	1450
20W	Initial Lumens	2422	2422	2422
	Delivered Lumens	1917	1918	1761
24W	Initial Lumens	2799	2799	2799
	Delivered Lumens	2250	2257	2059
28W	Initial Lumens	3128	3128	3128
	Delivered Lumens	2555	2542	2333
32W	Initial Lumens	3405	3405	3405
	Delivered Lumens	2897	2916	2628
33W	Initial Lumens	4090	4090	4090
	Delivered Lumens	3365	3457	3118
35W	Initial Lumens	4626	4626	4626
	Delivered Lumens	3722	3821	3443
40W	Initial Lumens	4967	4967	4967
	Delivered Lumens	4062	4169	3756
48W	Initial Lumens	5765	5765	5765
	Delivered Lumens	4724	4847	4367
56W	Initial Lumens	6472	6472	6472
	Delivered Lumens	5319	5459	4919

\* Values are listed at 3000K, 90+ CRI with a white bevel & trim.

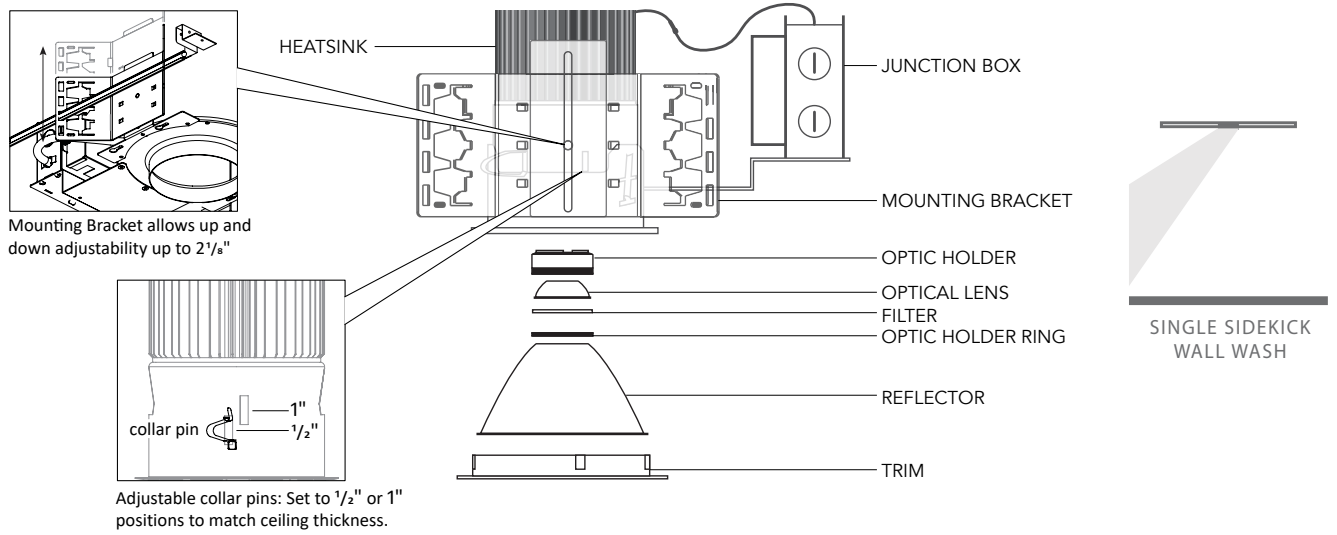
## COLOR TEMPERATURE MULTIPLIER FOR DELIVERED LUMENS

2700K	3000K	3500K	4000K
0.95	1.00	1.04	1.07

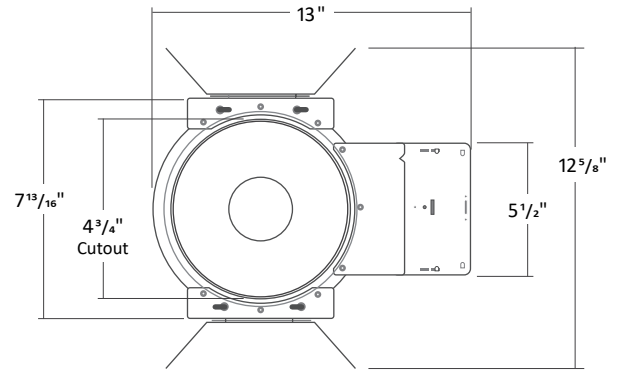
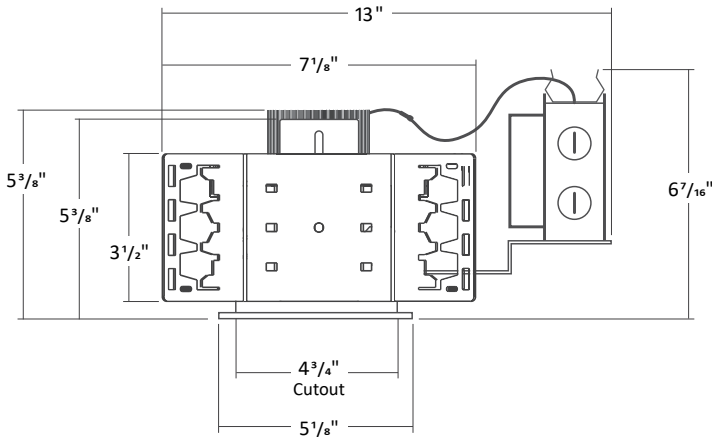
# RVC4-FN-SW

4" LED COMMERCIAL DOWNLIGHT SINGLE SIDEKICK WALL WASH NEW CONSTRUCTION

## RVC4-FN-DW ANATOMY

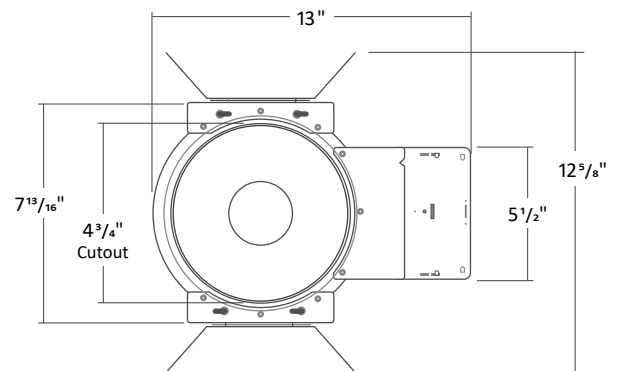
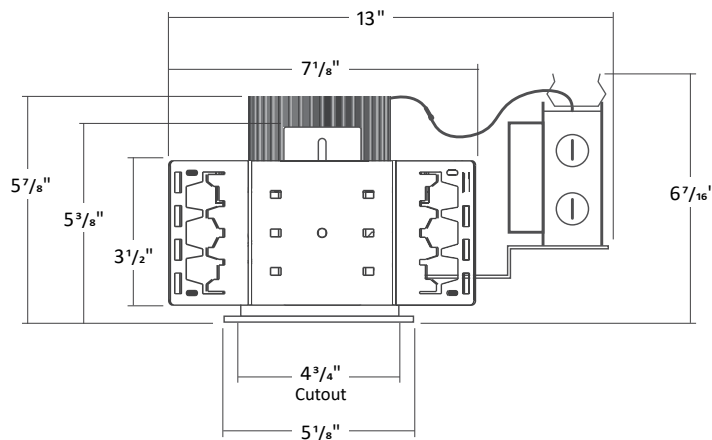


## RVC4-FN-SW DIMENSIONS 6W-20W



1. The collar features two pin settings, allowing to accommodate 1/2" or 1" ceiling thickness
2. Allow 1/8" tolerance

## RVC4-FN-SW DIMENSIONS 24W-56W



1. The collar features two pin settings, allowing to accommodate 1/2" or 1" ceiling thickness
2. Allow 1/8" tolerance

# RVC4-FN-SW

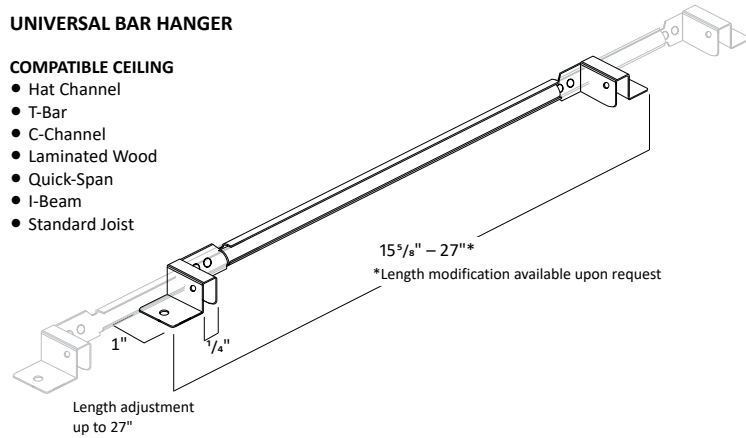
4" LED COMMERCIAL DOWNLIGHT SINGLE SIDEKICK WALL WASH NEW CONSTRUCTION

## FRAME ACCESSORIES

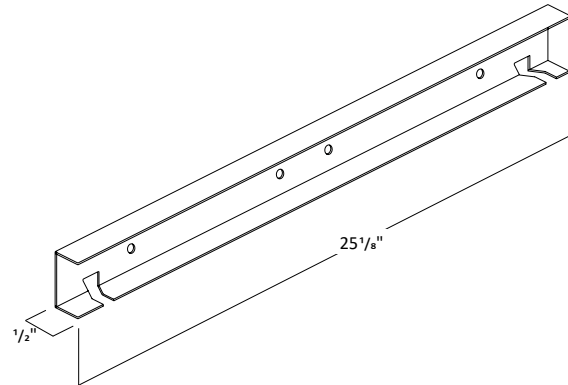
### UNIVERSAL BAR HANGER

#### COMPATIBLE CEILING

- Hat Channel
- T-Bar
- C-Channel
- Laminated Wood
- Quick-Span
- I-Beam
- Standard Joist



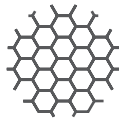
### C-CHANNEL BAR HANGER



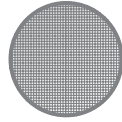
## FILTERS



Frosted Filter

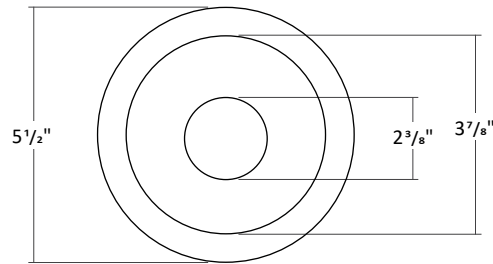
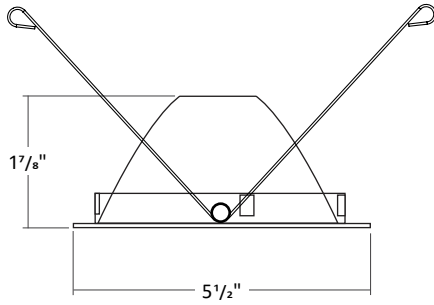


Honey Comb



Solite Filter

## REFLECTOR / TRIM DIMENSIONS



### TRIM FINISH



White



Specular Clear



Haze



Black

\*Consult Factory for Made to Order Finishes