



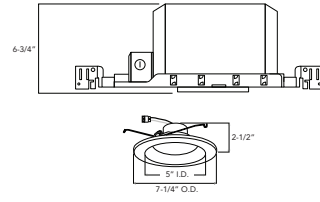
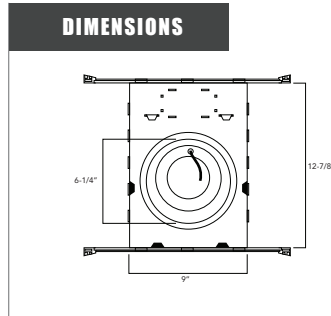
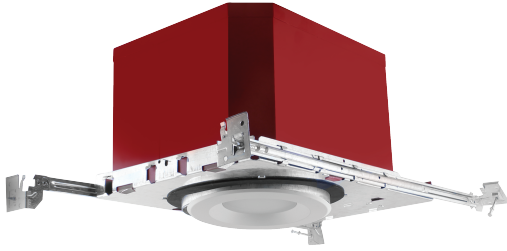
6" FIRE RATED BUILDERS PLUS LED DOWNLIGHT

PROJECT: _____

MODEL #: _____

LOCATION: _____

CONTACT: _____



Use of Product

The Fire Rated LED New Construction Downlight Series provides 2 hour fire protection by utilization of non-combustible insulation within the fixture's double wall. This design prevents flames, toxic gases, and ignitable gases to pass through into the ceiling plenum making a great choice for residential, multifamily, and commercial applications.

Features

- 2 Hour fire rating
- Rated for direct contact with insulation.
- Insulation also performs as sound barrier thereby preventing sound between floors
- Lumens: 875 Lumens
- Input Power: 13.5W
- Frequency: 50/60Hz
- Voltage: 120V
- Color Temperature Selectable: (2700K, 3000K, 3500K)
- CRI: 90+
- Finish: White
- Trim: Round
- Wet Location Listed

Module Mechanics

REC6R is designed with diacast body painted white for heat dissipation. Lens provides even light output, glare control, Hidden from view. Tension clips pre-installed on unite for easy ceiling installing.

Plaster Frame

Galvanized steel construction. The housing can be removed from plaster frame to provide access to the junction box.

Housing

Die formed 22 gauge galvanized steel construction. Housing interior is comprised of a flexible non-combustible insulation.

Junction Box

- Listed for through branch circuit wiring.
- Contains one 1-1/8", one 1/2", three 7/8" knockouts. and four Romex pryouts with strain relief.

Bar Hanger

- Pre-installed real nail easily installs in regular lumber or engineered lumber.
- Bar hangers are adjustable from 13-5/8" to 25" and can be repositioned to 90° on plaster frame.
- Swivel bar hanger bendable at 90° angle for easy installation.

Labels/compliance

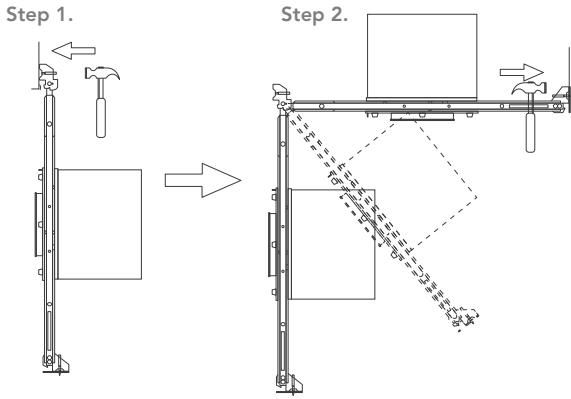
- UL1598
- UL263
- cULus Listed for feed through
- Certified under ASTM-E283 for air tight construction
- CSA Classified for wet location
- LM79 and LM80
- Title 24 & JA8 compliant
- Energy Star

RHL6F-ICAT & REC6R

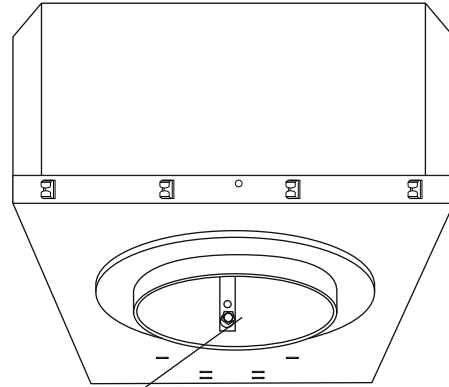
ORDERING INFO

RHL6F-ICAT	REC6R	9L	CTS	S	W
Series	Module	Lumens	Color Temp.	Reflector	Finish
RHL6F-ICAT - 4" IC Fire Rated Air-Tight New Construction LED Housing	REC6R	9L - 900 Lumens	CTS - Color Temperature Selectable	S - Smooth	W - White

INSTALLATION BY SWIVEL BAR HANGER

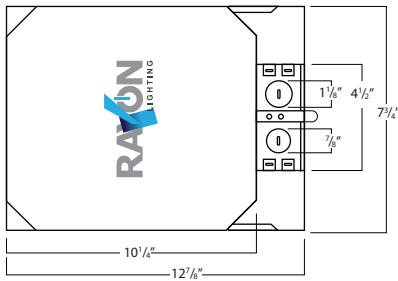


CEILING THICKNESS

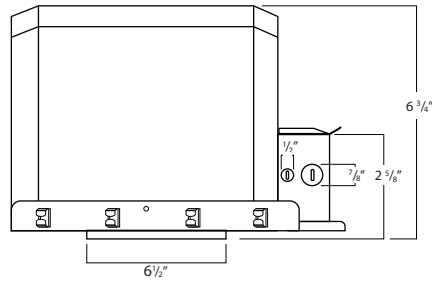


3/8" (standard) - 1-5/8"
 Loosen screw and lower the collar to required ceiling depth

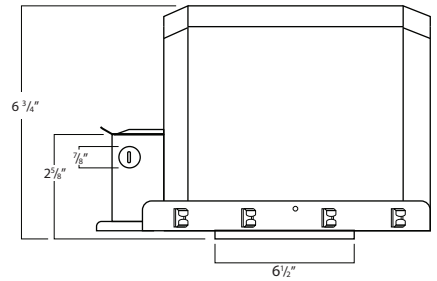
KNOCKOUT DIMENSIONS



Aerial View



Right Side Profile



Left Side Profile

RHL6F-ICAT & REC6R