

RFL6A SERIES

LED Adjustable Recessed Module

PROJECT: _____

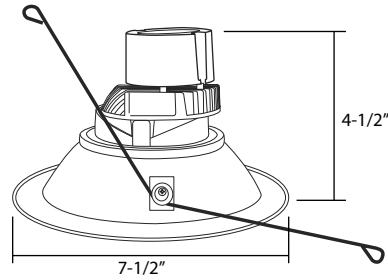
MODEL #: _____

LOCATION: _____

CONTACT: _____



DIMENSIONS

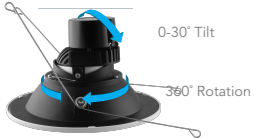


FEATURES

USE OF PRODUCT

The Versatrim RFL6 Series is the ideal product for energy efficient lighting in existing retrofit, remodel, or new construction housings. This product may be used in hospitality, health care, commercial, retail, and residential applications where lights need to be controlled such as to focus on artwork, displays, objects, etc. The Versatrim Adjustable will reduce energy consumption, emits little heat, and reduces cooling loads for added costs savings. Approximately 75% in energy savings compared to incandescent light source.

VERSATRIM FEATURES



- Watts: 11W
- Lumens: 900 Lumens
- Voltage: (120V standard); 120-277V (with optional 0-10V dimming driver)
- Color Temperature: 2700K, 3000K, 3500K or 4000K
- Beam Angle: 18°, 38°, 60°
- Color Rendering Index: 93+ CRI Typical

- R9 Value: 85
- LED Life: 50,000 hours
- LED Type: Cree LED for maximum light output
- Versatility: Interchangeable trim in round and square
- EM Battery: 90 min
- Warranty: 5 Year Limited Warranty

LED DRIVER

Durable 120V dimmable driver provides high power factor with the optimum thermal management to prevent damage caused by high temperature. Driver protections include: output open load, over-current and short circuit, and over temperature with auto recovery.

DIMMING

Available in 8 driver selections. Standard Triac/ELV, 120V. (019) 0-10V dimming in 900 lumens, 120-277V. (PEQ0) Lutron Hi-Lume Premier Ecosystem 0.1% w/soft on, fade to black dimming, 120-277V. (LDE1) Lutron Hi-Lume 1% Ecosystem with soft on, fade to black dimming, 120-277V. (LTE) Hi-Lume 1% 2-wire, 120V. (L3DA) Hi-lume 1% EcoSystem/3-Wire L3D Driver (EEI) eldoLED Eco 1% Dim (0-10V), 120-277V. (EDIO) eldoLED Solo 0.1% Dim(0-10V), 120-277V. (EDID) eldoLED Solo 0.1% Dim(DALI), 120-277V.

FILTER ACCESSORIES

A multitude of filter accessories are available to achieve a particular light effect. Available in frosted, honeycomb, or solite filter options.

EMERGENCY BATTERY

Optional emergency battery with up to 90 minute illumination time.

MOUNTING

Torsion clips supplied for convenient mounting to existing, remodel, or new construction housing.

LABELS/COMPLIANCE

- CSA Classified for damp location

ORDERING INFORMATION

RFL6A	9L						
-------	----	--	--	--	--	--	--

Series	Lumens	Color Temp.	Lens Holder Finish	Beam Angle	Reflector	Trim	Dimming
Versatrim Adjustable	9L - 900 Lumens	27 - 2700K	HW - White	18 - 18°	6ARLW - White	ROUND 6TLW - White 6TLC - Copper 6TLB - Black 6TLH - Haze 6TLSN - Satin Nickel 6TLBZ - Bronze 6TLCX - Custom	Leave blank ² - Triac/ELV
		30 - 3000K	HB - Black	38 ¹ - 38°	6ARLB - Black		019 ³ - 0-10V Dimming
		35 - 3500K 40 - 4000K	HS - Silver	60 - 60°	6ARLCH - Chrome 6ARLH - Haze 6ARLBZ - Bronze 6ARLSN - Satin Nickel 6ARLCX - Custom		LDE1 ³ - Lutron Hi-Lume 1% Ecosystem with soft on, fade to black dimming PEQ0 ³ - Lutron Hi-Lume Premier Ecosystem 0.1% w/soft on, fade to black dimming LTE ^{2,3} - Hi-Lume 1% 2-wire L3DA - Hi-lume 1% EcoSystem/3-Wire L3D Driver EEI ^{3,4} - eldoLED Eco 1% Dim (0-10V) EDIO ^{3,4} - eldoLED Solo 0.1% Dim (0-10V) EDID ^{3,4} - eldoLED Solo 0.1% Dim (DALI)
						SQUARE 6STLW - White 6STLB - Black 6STLH - Haze 6STLSN - Satin Nickel 6STLCK - Custom	

- Options
1. Standard beam angle.
 2. 120V only.
 3. Requires dedicated Rayon housing.
 4. Must specify logarithmic or linear eldoLED driver.

- SBA - Screw base adapter
- EM³ - Emergency back-up
- SDT³ - Step down transformer
- H - Honeycomb filter
- F - Frosted filter
- S - Solite filter



RHL6-ICAT

6" IC Air-tight New Construction LED Housing

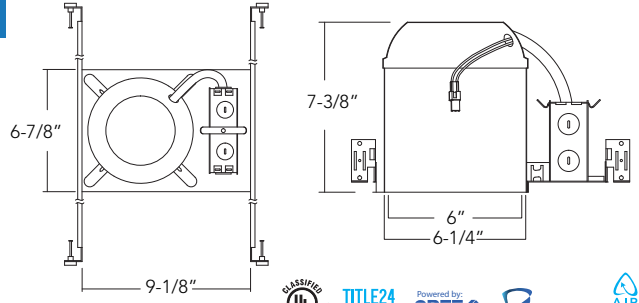
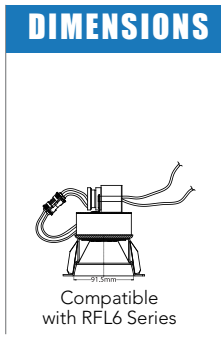
PROJECT: _____

MODEL #: _____

LOCATION: _____

CONTACT: _____

6" IC Air-Tight New Construction LED Housing



USE OF PRODUCT

The RHL6-ICAT is the ideal product for general purpose recessed LED housing for residential, commercial, hospitality, health care, restaurant and retail applications. This product is compatible with the Versatrim RFL5 Series in round or square in various baffle, reflector, and trim ring color selections to achieve a particular look.

CONSTRUCTION

- Minimum Clearance Rated for IC/ Non - IC application. "IC" or insulated ceiling housings are rated for direct contact with insulation. No minimum clearance is required.
- Ceiling Thickness Up to 1 1/4.
- Bar Hangers Bar Hangers are adjustable from 13-5/8 to 25" and can be repositioned to 90° on plaster frame. Pre-installed "real nail" easily installs in regular lumber, engineered lumber
- Junction Box Junction box is listed for through branch circuit wiring and contains seven 7/8" knockouts and four ROMEX pryouts with Romex cable clamp. Ground wire provided on J-Box.
- New Construction Frame Galvanized steel construction.
- Connection Quick connect provided for easy connection to VersaTrim RFL6 Series LED module to meet non-screw base socket requirements per California Title 24.

EMERGENCY

Optional emergency back-up may be ordered separately. Unit operates for 90 minutes with LED modules up to 20 Watts and is Damp location rated , 120/277AC operational.

MODULE COMPATIBILITY

RHL6-ICAT is compatible with the Versatrim RFL6 Series in round or square in various baffle, reflector, and trim ring color selections to achieve appearance of choice.

LABELS/COMPLIANCE

cUL listed for Wet location
 Certified under ASTM-283 for Air-Tight Construction
 Title 24 Compliant

ORDERING INFO

RHL6-ICAT	
Series	Options
RHL6-ICAT - 6" IC Air-Tight New Construction LED Housing	EM - Emergency battery 019 - 0-10V (900 Lumens) 277SDT - 277V Step down transformer 347SDT - 347V Step down transformert



www.rayonlighting.com
 info@rayonlighting.com

tel: 323.446.2626
 fax:323.446.2606

Specification and product availability
 subject to change without notice

09/17



RHL6R-ICAT

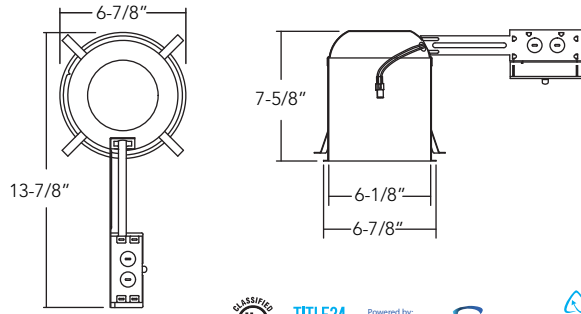
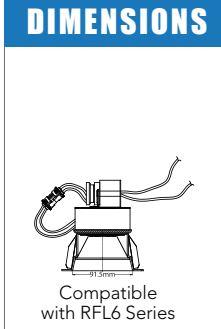
6" IC Air-tight Remodel LED Housing

PROJECT: _____

MODEL #: _____

LOCATION: _____

CONTACT: _____



USE OF PRODUCT

The RHL6R-ICAT is the ideal product for general purpose recessed LED housing for residential, commercial, hospitality, health care, restaurant and retail applications. This product is compatible with the Versatrim RFL6 Series in round or square in various baffle, reflector, and trim ring color selections to achieve a particular look.

CONSTRUCTION

- Minimum Clearance Rated for IC/ Non - IC application. "IC" or insulated ceiling housings are rated for direct contact with insulation. No minimum clearance is required.
- Ceiling Thickness Up to 1¼.
- Junction Box Junction box is listed for through branch circuit wiring and contains seven 7/8 knockouts and four ROMEX pryouts with Romex cable clamp. Ground wire provided on J-Box.
- Remodel Frame Galvanized steel construction
- Connection Quick connect provided for easy connection to Versatrim RFL6 Series LED module to meet non-screw base socket requirements per California Title 24.

EMERGENCY

Optional emergency back-up may be ordered separately. Unit operates for 90 minutes with LED modules up to 20 Watts and is Damp location rated , 120/277AC operational.

MODULE COMPATIBILITY

RHL6R-ICAT is compatible with the Versatrim RFL6 Series in round or square in various baffle, reflector, and trim ring color selections to achieve appearance of choice.

LABELS/COMPLIANCE

cUL listed for Wet location
 Certified under ASTM-283 for Air-Tight Construction
 Title 24 Compliant

6" IC Air-Tight Remodel LED Housing

ORDERING INFO

RHL6R-ICAT	
Series	Options
RHL6R-ICAT - 6" IC Air-Tight Remodel LED Housing	EM - Emergency battery 019 - 0-10V (900 Lumens) 277SDT - 277V Step down transformer 347SDT - 347V Step down transformer



www.rayonlighting.com
 info@rayonlighting.com

tel: 323.446.2626
 fax:323.446.2606

Specification and product availability
 subject to change without notice

09/17