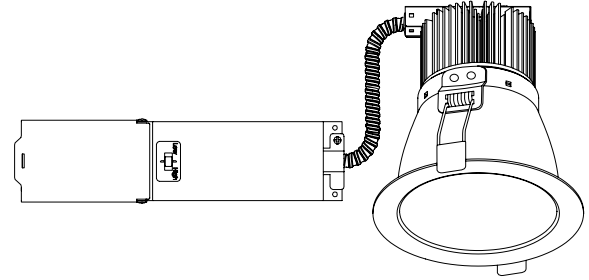


RBC4-FR-W

4" BUILDERS PLUS LED COMMERCIAL
FIXED WALL WASH REMODEL/RETROFIT

Project: _____
 Model: _____
 Location: _____
 Contact: _____



USE OF PRODUCT

The 4" Builders Plus LED Commercial Fixed Wall Wash series is the ideal product for energy-efficient lighting in Non-IC commercial applications. Features color temperature and lumen selectability with a deep cone reflector designed for anti-glare purposes.

BUILDERS PLUS FEATURES

Lumen Selectable:
 LS07- 300 lm, 400 lm, 585 lm, 730 lm, 800 lm
 Color Temperature Selectable:
 2700K, 3000K, 3500K, 4000K, 5000K
 Color Rendering Index: 84+ CRI
 Optical Lens: 70° standard
 LED Life: 50,000 hours
 Driver Info: 120–277V; 50/60 Hz
 Operating Temperature: -30°C–40°C

LED ENGINE

LED engine available in 5CTS 2700K, 3000K, 3500K, 4000K, 5000K (LS07) in 84+ CRI. Color temperature may be modified in field. Optional locking mechanism available. LED mounted to aluminum heat sink for maximum life output and thermal management.

MOUNTING

Mounting clip attached to reflector for easy installation and ability to remove fixture from below the ceiling.

DIMMING

LED driver accommodates 120–277V input with 0–10V dimming protocol. LS07 (300 lm, 400 lm, 585 lm, 730 lm, 800 lm). Lumens may be modified in field or optional lumen locking mechanism available upon request.

TRIM

Self-flanged spun aluminum reflector with frosted lens to shield direct view from LEDs. Reflector available in haze finish with white trim.

EMERGENCY BATTERY

Optional emergency battery available for a minimum of 90 minutes with both integral or remote test switch in 800 delivered lumens.

INSTALLATION

Non-IC housing. Insulation must be kept at least 3" away from fixture.

LABELS/COMPLIANCE

- cUL listed
- Energy Star
- Title 24
- Wet location
- 5-year limited warranty



ORDERING INFORMATION

SERIES	HOUSING	LUMENS	COLOR TEMPERATURE SHIFT	APERTURE	REFLECTOR	TRIM
RBC4	FR - Remodel/Retrofit Frame	LS07 ¹ - Lumen Selectable (300, 400, 585, 730, 800 lm) LL07 - Lumen Locked at 300 lm LL09 - Lumen Locked at 400 lm LL13 - Lumen Locked at 585 lm LL17 - Lumen Locked at 730 lm LL20 - Lumen Locked at 800 lm	5CTS - Color Temp. Selectable (2700K, 3000K, 3500K, 4000K, 5000K) CT27 - Locked at 2700K CT30 - Locked at 3000K CT35 - Locked at 3500K CT40 - Locked at 4000K CT50 - Locked at 5000K	W - Wall Wash	H - Haze	W - White

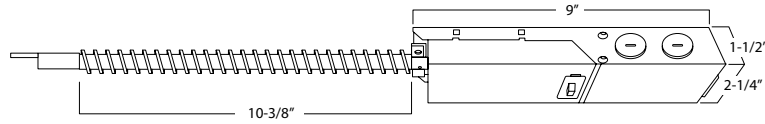
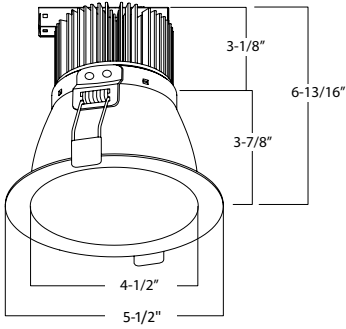
OPTIONS

- ER8W** - Emergency Battery with Remote Switch (8 Watts)
- ER15W** - Emergency Battery with Remote Switch (15 Watts)

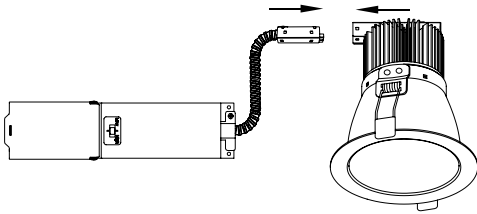
Notes

1. Lumen selectable between 300 lm, 400 lm, 585 lm, 730 lm, 800 lm. Lumens may be modified in field.

DIMENSIONS



RETROFIT ASSEMBLY



Driver with J-Box + Light Module + Reflector

WATT/LUMEN CHART

WATTS	LUMENS	CRI
8W	300 lm	84+
11W	400 lm	84+
16W	585 lm	84+
21W	730 lm	84+
27W	800 lm	84+

LIST OF COMPATIBLE DIMMERS

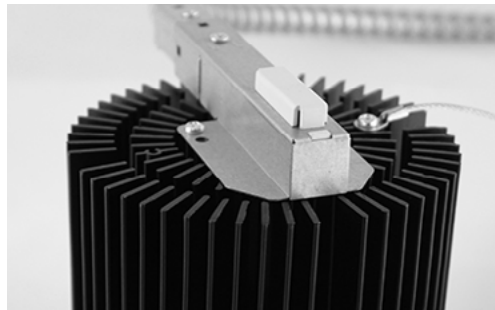
(120/277V 0-10 Dimming)

MFR	MODEL#	DIMMING RATE
Lutron	NFTV	1-100%
Lutron	NTSTV-DV	1-100%
Legrand	CD4FBLW	1-100%
Leviton	1P710-DL	1-100%

LUMEN AND COLOR TEMPERATURE LOCK MECHANISM COVER



Lumen selectable locking mechanism cover



Color Temperature selectable locking mechanism cover