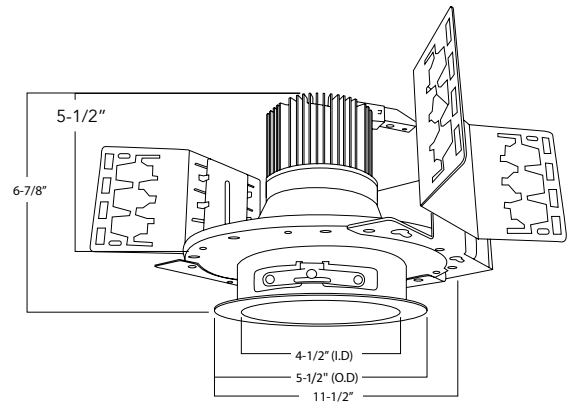




# RBC4-FN-W

4" BUILDERS PLUS LED NEW  
CONSTRUCTION FIXED WALL WASH

Project: \_\_\_\_\_  
 Model: \_\_\_\_\_  
 Location: \_\_\_\_\_  
 Contact: \_\_\_\_\_



4" BUILDERS PLUS LED NEW CONSTRUCTION FIXED WALL WASH

## GENERAL INFORMATION

### USE OF PRODUCT

The 4" Builders Plus LED New Construction Fixed Wall Wash series is the ideal product for energy efficient lighting in Non-IC New Construction commercial applications. Available in three color temperatures and lumen packages. Deep cone reflector designed for anti-glare purposes.

### BUILDERS PLUS FEATURES

Lumen Selectable:  
 LS07- 300 lm, 400 lm, 585 lm, 730 lm, 800 lm  
 Color Temperature Selectable:  
 2700K, 3000K, 3500K, 4000K, 5000K  
 Locking mechanism optional  
 Optical Lens: 70° standard  
 Color Rendering Index: 84+ CRI  
 LED Life: 50,000 hours  
 Driver Info: 120–277V; 50/60 Hz  
 Operating Temperature: -30°C–40°C

### LED ENGINE

LED engine available in 5CTS 2700K, 3000K, 3500K, 4000K, 5000K (LS07) in 84+ CRI. Color temperature may be modified in field or preset with locking mechanism. LED Mounted to aluminum heat sink for maximum life output and thermal management.

### FRAME CONSTRUCTION

Architectural frame includes butterfly brackets to accommodate c-channel or flat bar hangers to tie down to ceiling grids. Junction box mounted to frame for easy wire access and for driver installation/replacement.

### DIMMING

LED driver accommodates 120–277V input with 0–10V dimming protocol. Fixture available in three selectable lumen packages. LS07 (300 lm, 400 lm, 585 lm, 730 lm, 800 lm). Lumens may be modified in field or optional lumen locking mechanism available upon request.

### TRIM

Self-flanged spun aluminum reflector with frosted lens to shield direct view from LEDs. Reflector available in haze finish with white trim.

### EMERGENCY BATTERY

Optional emergency battery available for a minimum of 90 minutes with both integral or remote test switch in 800 delivered lumens.

### INSTALLATION

Non-IC housing. Insulation must be kept at least 3" away from fixture.

### LABELS/COMPLIANCE

- cUL listed
- Energy Star
- Title 24
- Wet location
- 5-year limited warranty



## ORDERING INFORMATION

SERIES	HOUSING	LUMENS	COLOR TEMPERATURE SHIFT	APERTURE	REFLECTOR	TRIM
RBC4	FN - New Construction	<b>LS07<sup>1</sup></b> - Lumen Selectable (300, 400, 585, 730, 800 lm) <b>LL07</b> - Lumen Locked at 300 lm <b>LL09</b> - Lumen Locked at 400 lm <b>LL13</b> - Lumen Locked at 585 lm <b>LL17</b> - Lumen Locked at 730 lm <b>LL20</b> - Lumen Locked at 800 lm	<b>5CTS</b> - Color Temp. Selectable (2700K, 3000K, 3500K, 4000K, 5000K) <b>CT27</b> - Locked at 2700K <b>CT30</b> - Locked at 3000K <b>CT35</b> - Locked at 3500K <b>CT40</b> - Locked at 4000K <b>CT50</b> - Locked at 5000K	<b>W</b> - Wall Wash	<b>H</b> - Haze	<b>W</b> - White

### FRAME ACCESSORIES

- C** - C-Channel Bar Hanger
- UH** - Universal Bar Hanger

### OPTIONS

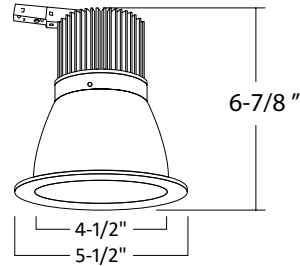
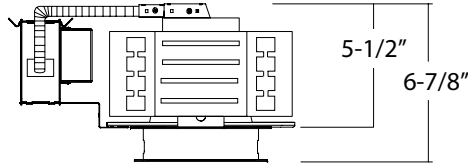
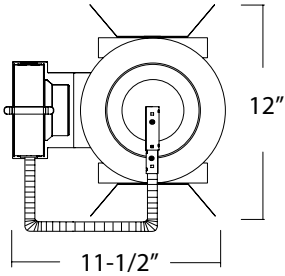
- ER8W** - Emergency Battery with Remote Switch (8 Watts)
- ER15W** - Emergency Battery with Remote Switch (15 Watts)

### Notes

1. Lumen selectable between 300 lm, 400 lm, 585 lm, 730 lm, 800 lm. Lumens may be modified in field.



## DIMENSIONS



## WATT/LUMEN CHART

WATTS	LUMENS	CRI
8W	300 lm	84+
11W	400 lm	84+
16W	585 lm	84+
21W	730 lm	84+
27W	800 lm	84+

## LIST OF COMPATIBLE DIMMERS

(120/277V 0-10 Dimming)

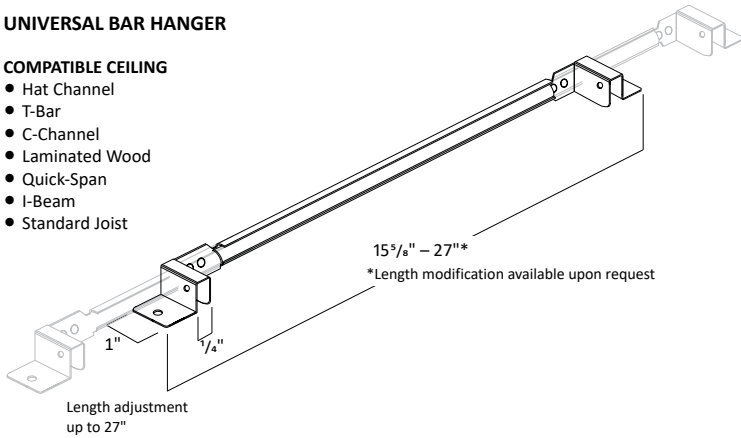
MFR	MODEL#	DIMMING RATE
Lutron	NFTV	1-100%
Lutron	NTSTV-DV	1-100%
Legrand	CD4FBLW	1-100%
Leviton	1P710-DL	1-100%

## FRAME ACCESSORIES

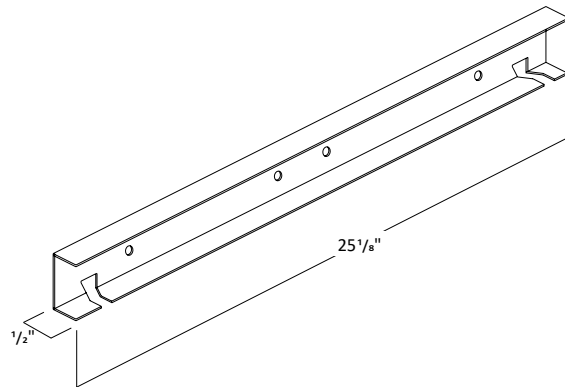
### UNIVERSAL BAR HANGER

#### COMPATIBLE CEILING

- Hat Channel
- T-Bar
- C-Channel
- Laminated Wood
- Quick-Span
- I-Beam
- Standard Joist



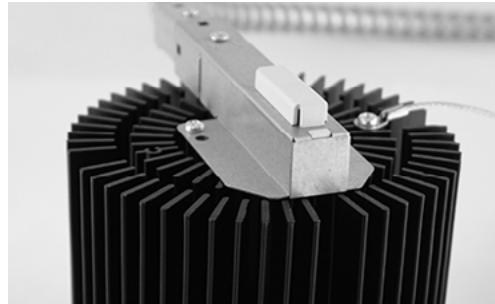
### C-CHANNEL BAR HANGER



## LUMEN AND COLOR TEMPERATURE LOCK MECHANISM COVER



Lumen selectable locking mechanism cover



Color Temperature selectable locking mechanism cover