



# 4" LED FIRE RATED VERSATRIM PULL DOWN DOWNLIGHT

**PROJECT:** \_\_\_\_\_

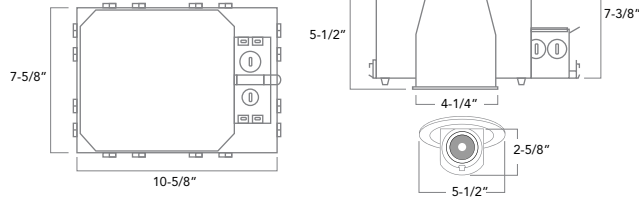
**MODEL #:** \_\_\_\_\_

**LOCATION:** \_\_\_\_\_

**CONTACT:** \_\_\_\_\_



## DIMENSIONS



### Use of Product

The Fire Rated LED New Construction Downlight Series provides 2 hour fire protection by utilization of non-combustible insulation within the fixture's double wall. This design prevents flames, toxic gases, and ignitable gases to pass through into the ceiling plenum making a great choice for residential, multifamily, and commercial applications.

### Features

- 2 Hour fire rating
- Rated for direct contact with insulation.
- Lumens: 830 Lumens
- Finish: White, Black, Satin Nickel and Bronze
- Wattage: 12 Watts
- Voltage: 120V
- Color Temperature: 2700K, 3000K, 3500k, or 4000K
- R9 Value: 85
- Color Rendering Index: 93 CRI Typical
- LED Life: 50,000 hours
- LED Type: Cree LED for maximum light output
- Versatility: Interchangeable lens available in 19° and 38°; 365° horizontal rotations 65° vertical drop from nadir.
- Warranty: 5 Year Limited Warranty

### LED Driver

Durable Triac/ELV, 120V dimmable driver provides high power factor with the optimum thermal management to prevent damage caused by high temperature. Driver protections include: output open load, over-current and short circuit, and over temperature with auto recovery.

### Emergency Battery

Optional emergency back-up may be ordered separately. Unit operates for 90 minutes with LED modules up to 20 Watts and is Damp location rated, 120/277AC operational, 800 delivered lumens. Ceiling access required with emergency option.

### Dimming

Standard Triac/ELV, 120. (018) 0-10V dimming in 800 lumens, 120-277V. (011) 0-10V dimming in 1100 lumens, 120-277V.

### Module Mechanics

The RFL4ER Series is constructed of durable heat sink, baffle or reflector, trim ring, diffused lens and Cree LEDs for optimum performance. Interchangeable round or square baffle, reflector, and trim ring are designed for convenient color selection and replacement in the field. Diffused, lens provides for even light output, glare control, and conceals LEDs from view.

### Beam Option

- lens available in 19° and 38° beam angle
- Interchangeable lens and field replaceable
- Comes with clear lens cover

### Plaster Frame

Galvanized steel construction. The housing can be removed from plaster frame to provide access to the junction box.

### Housing

Die formed 22 gauge galvanized steel construction. Housing interior is comprised of a flexible non-combustible insulation.

### Junction Box

- Listed for through branch circuit wiring.
- Contains one 1-1/8", one 1/2", three 7/8" knockouts, and four Romex pryouts with strain relief.

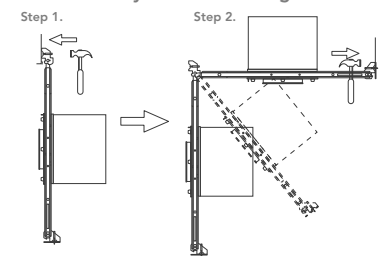
### Bar Hanger

- Pre-installed real nail easily installs in regular lumber or engineered lumber.
- Bar hangers are adjustable from 13-5/8" to 25" and can be repositioned to 90° on plaster frame.
- Swivel bar hanger bendable at 90° angle for easy installation.

### Labels/compliance

- cULus Listed for feed through
- Certified under ASTM-E283 for air-tight construction
- CSA Classified for wet location
- LM79 and LM80
- Can be used for state of California title 24 compliance
- JAB certified
- Energy Star

### Installation by Swivel Bar Hanger



RHL4F-ICAT & RFL4ER

## ORDERING INFO

RHL4F-ICAT	RFL4ER	8L				
Series	Module	Lumens	Color Temp.	Dimming	Finish	Beam Angle
RHL4F-ICAT - 4" IC Fire Rated Air-Tight New Construction LED Housing	Versatrim 4" Pull Down	8L - 830 Lumens	27 - 2700K 30 - 3000K 35 - 3500K 40 - 4000K	Leave blank - Triac/ELV 018 <sup>1</sup> - 0-10V Dimming (800 lumens) 011 <sup>1</sup> - 0-10V Dimming (1100 lumens)	W - White BL - Black BZ - Bronze SN - Satin Nickel	19 - 19° 38 - 38°

### Options

- 347SDT - 347V Step down transformer
- EM<sup>1</sup> - Emergency Back-up

1. Ceiling access required.
2. 120V only.
3. Must specify logarithmic or linear eldoLED driver.

PROJECT: \_\_\_\_\_

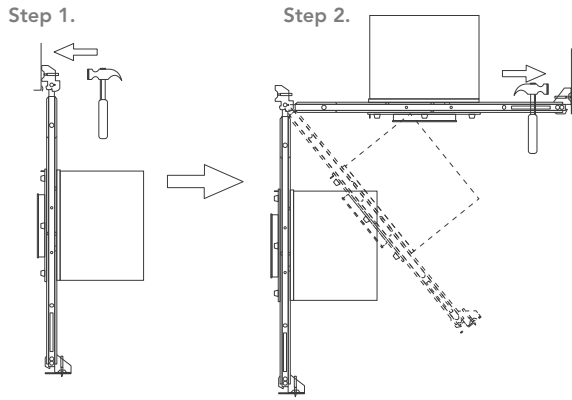
MODEL #: \_\_\_\_\_

LOCATION: \_\_\_\_\_

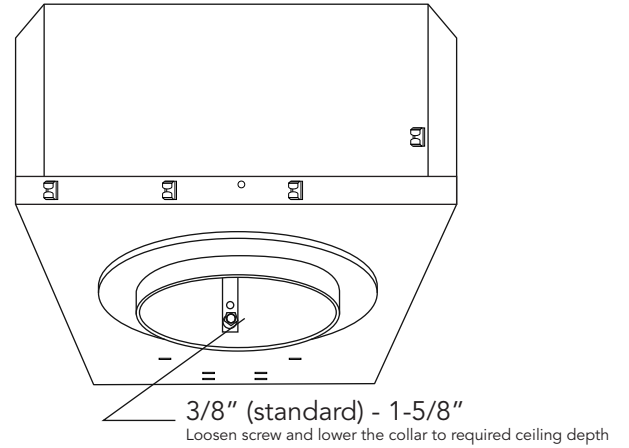
CONTACT: \_\_\_\_\_



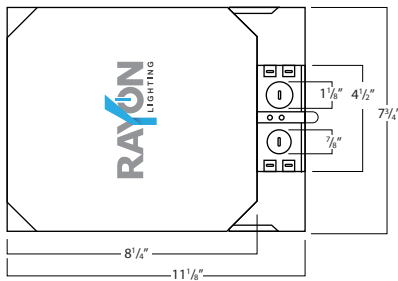
**INSTALLATION BY SWIVEL BAR HANGER**



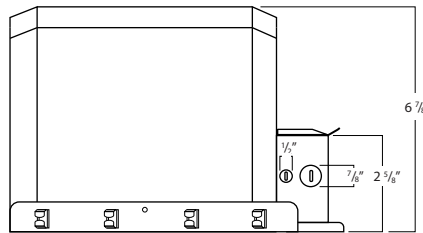
**CEILING THICKNESS**



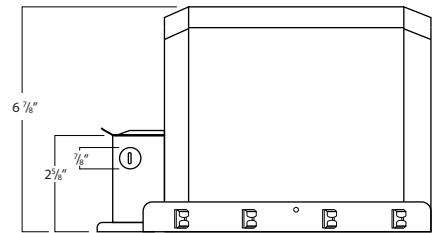
**KNOCKOUT DIMENSIONS**



Aerial View



Right Side Profile



Left Side Profile

RHL4F-ICAT & RFL4ER