



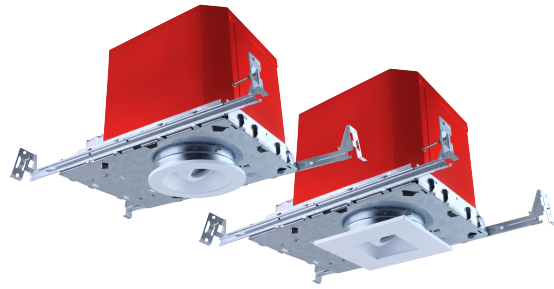
# 4" LED FIRE RATED VERSATRIM ADJUSTABLE DOWNLIGHT

**PROJECT:** \_\_\_\_\_

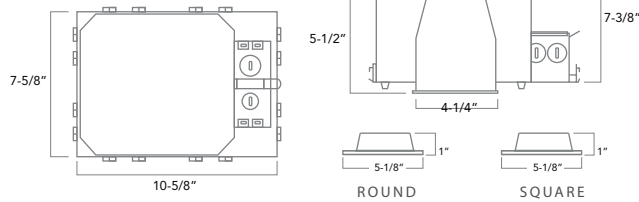
**MODEL #:** \_\_\_\_\_

**LOCATION:** \_\_\_\_\_

**CONTACT:** \_\_\_\_\_



## DIMENSIONS



### Use of Product

The Fire Rated LED New Construction Downlight Series provides 2 hour fire protection by utilization of non-combustible insulation within the fixture's double wall. This design prevents flames, toxic gases, and ignitable gases to pass through into the ceiling plenum making a great choice for residential, multifamily, and commercial applications.

### Features

Watts	Delivered Lumens	Voltage	CRI	Driver Type
11 W	900 lm	120V	93+	TRIAC/ELV

- 2 Hour fire rating
- Rated for direct contact with insulation.
- Watts: 11W
- Lumens: 900 Lumens
- Voltage: 120V standard
- Color Temperature: 2700K, 3000K, 3500K, or 4000K
- Beam Angle: 18°, 38°, 60°
- Color Rendering Index: 93+ CRI Typical
- R9 Value: 85
- LED Life: 50,000 hours
- LED Type: Cree LED for maximum light output
- Versatility: Interchangeable trim in round and square
- EM Battery: 90 min
- Warranty: 5 Year Limited Warranty

### LED Driver

Standard Triac/ELV, 120V dimmable driver provides high power factor with the optimum thermal management to prevent damage caused by high temperature. Driver protections include: output open load, over-current and short circuit, and over temperature with auto recovery.

### Emergency Battery

Optional emergency back-up may be ordered separately. Unit operates for 90 minutes with LED modules up to 20 Watts and is Damp location rated, 120/277AC operational, 800 delivered lumens. Ceiling access required with emergency option.

### Dimming

Standard Triac/ELV, 120V. (019) 0-10V dimming in 900 lumens, 120-277V.

### Module Mechanics

The RFL4A Series is constructed of durable heat sink, baffle or reflector, trim ring, diffused lens and Cree LEDs for optimum performance. Interchangeable round or square baffle, reflector, and trim ring are designed for convenient color selection and replacement in the field. Diffused, lens provides for even light output, glare control, and conceals LEDs from view.

### Plaster Frame

Galvanized steel construction. The housing can be removed from plaster frame to provide access to the junction box.

### Housing

Die formed 22 gauge galvanized steel construction. Housing interior is comprised of a flexible non-combustible insulation.

### Junction Box

- Listed for through branch circuit wiring.
- Contains one 1-1/8", one 1/2", three 7/8" knockouts. and four Romex pryouts with strain relief.

### Bar Hanger

- Pre-installed real nail easily installs in regular lumber or engineered lumber.
- Bar hangers are adjustable from 13-5/8" to 25" and can be repositioned to 90° on plaster frame.
- Swivel bar hanger bendable at 90° angle for easy installation.

### Labels/compliance

- cULus Listed for feed through
- Certified under ASTM-E283 for air-tight construction
- CSA Classified for wet location
- LM79 and LM80
- Can be used for state of California Title 24 compliance
- JA8 certified
- Energy Star

RHL4F-ICAT & RFL4A

## ORDERING INFO

RHL4F-ICAT	RFL4A	9L				
Series	Module	Lumens	Color Temp.	Dimming	Lens Holder Finish	Beam Angle
RHL4F-ICAT - 4" IC Fire Rated Air-Tight New Construction LED Housing	Versatrim 4" Adjustable	9L - 900 Lumens	35 - 3500K 40 - 4000K	Leave blank - Triac/ELV 019 <sup>1</sup> - 0-10V Dimming (900 lumens)	HW - White HB - Black HS - Silver	18 - 18° 38 - 38° 60 - 60°

Reflector	Trim	Options																
4ARLW - White 4ARLB - Black 4ARLCH - Chrome 4ARLH - Haze 4ARLSN - Satin Nickel 4ARLCX - Custom	<table border="1"> <thead> <tr> <th>ROUND</th> <th>SQUARE</th> </tr> </thead> <tbody> <tr> <td>4TLW - White</td> <td>4STLW - White</td> </tr> <tr> <td>4TLC - Copper</td> <td>4STLB - Black</td> </tr> <tr> <td>4TLB - Black</td> <td>4STLH - Haze</td> </tr> <tr> <td>4TLH - Haze</td> <td>4STLSN - Satin Nickel</td> </tr> <tr> <td>4TLSN - Satin Nickel</td> <td>4STLCK - Custom</td> </tr> <tr> <td>4TLBZ - Bronze</td> <td></td> </tr> <tr> <td>4TLCK - Custom</td> <td></td> </tr> </tbody> </table>	ROUND	SQUARE	4TLW - White	4STLW - White	4TLC - Copper	4STLB - Black	4TLB - Black	4STLH - Haze	4TLH - Haze	4STLSN - Satin Nickel	4TLSN - Satin Nickel	4STLCK - Custom	4TLBZ - Bronze		4TLCK - Custom		347SDT - 347V Step down transformer EM <sup>1</sup> - Emergency Back-up H - Honey comb F - Frosted
ROUND	SQUARE																	
4TLW - White	4STLW - White																	
4TLC - Copper	4STLB - Black																	
4TLB - Black	4STLH - Haze																	
4TLH - Haze	4STLSN - Satin Nickel																	
4TLSN - Satin Nickel	4STLCK - Custom																	
4TLBZ - Bronze																		
4TLCK - Custom																		

1. Ceiling access required.
2. 120V only.
3. Must specify logarithmic or linear eldoLED driver.

## Rayon Lighting, Inc

1517 N. Alameda St  
Compton, CA 90222  
T: 323.446.2626  
rayonlighting.com

©2020. Rayon lighting. All rights reserved.  
Specification and product availability subject to change without notice.  
Revised 12/20

PROJECT: \_\_\_\_\_

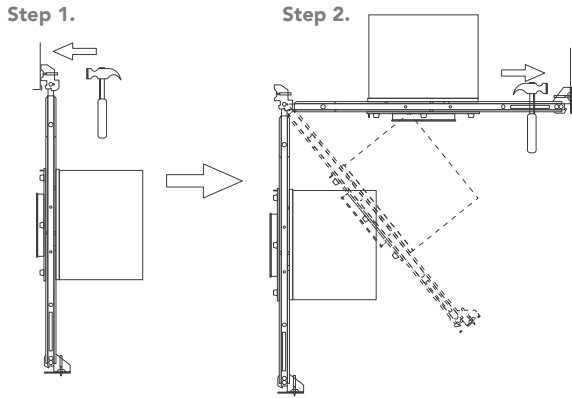
MODEL #: \_\_\_\_\_

LOCATION: \_\_\_\_\_

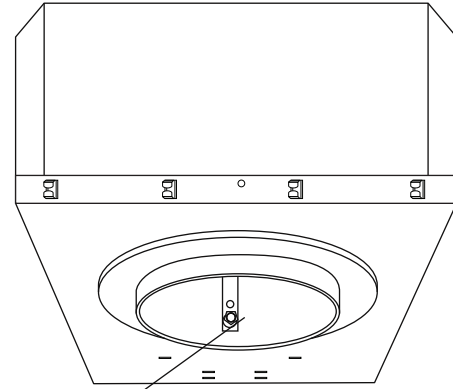
CONTACT: \_\_\_\_\_



**INSTALLATION BY SWIVEL BAR HANGER**

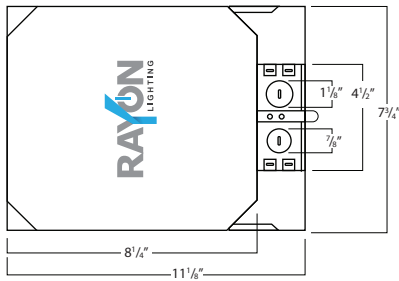


**CEILING THICKNESS**

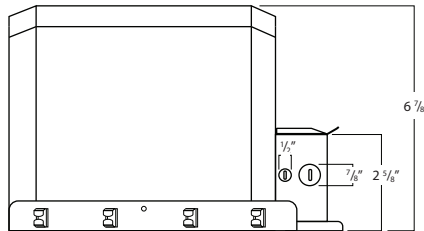


3/8" (standard) - 1-5/8"  
Loosen screw and lower the collar to required ceiling depth

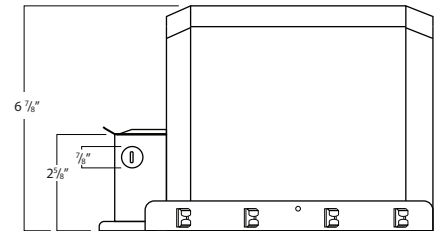
**KNOCKOUT DIMENSIONS**



Aerial View



Right Side Profile



Left Side Profile

RHL4F-ICAT & RFL4A