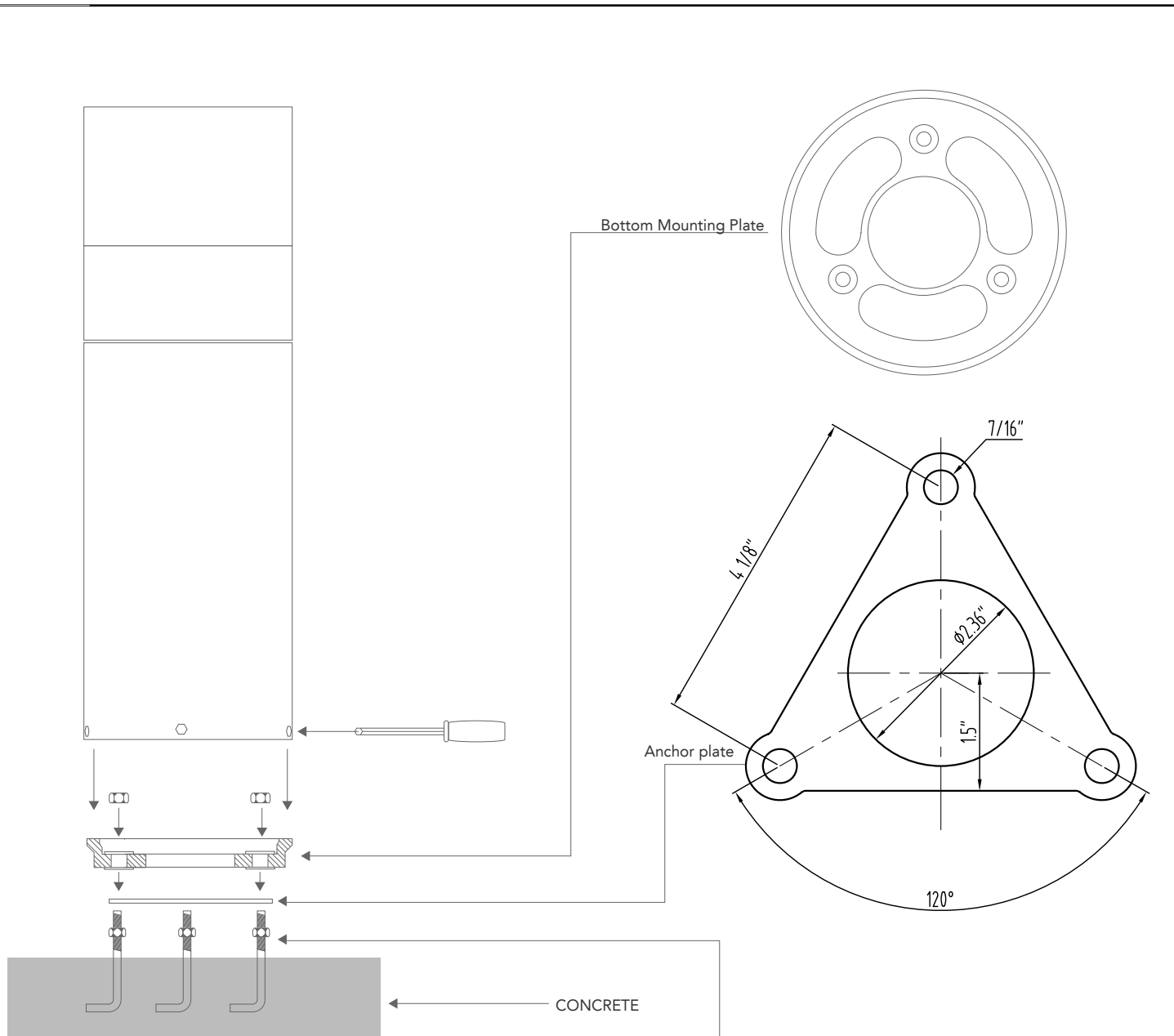


10
9
8
7
6
5
4
3
2
1



PROPRIETARY AND CONFIDENTIAL
THE INFORMATION CONTAINED IN THIS
DRAWING IS THE SOLE PROPERTY OF
RAYON LIGHTING GROUP INC. ANY
REPRODUCTION IN PART OR AS A WHOLE
WITHOUT THE WRITTEN PERMISSION OF
RAYON LIGHTING GROUP INC.
IS PROHIBITED.

RAYON LIGHTING GROUP INC.

TITLE:
T89XLED Series

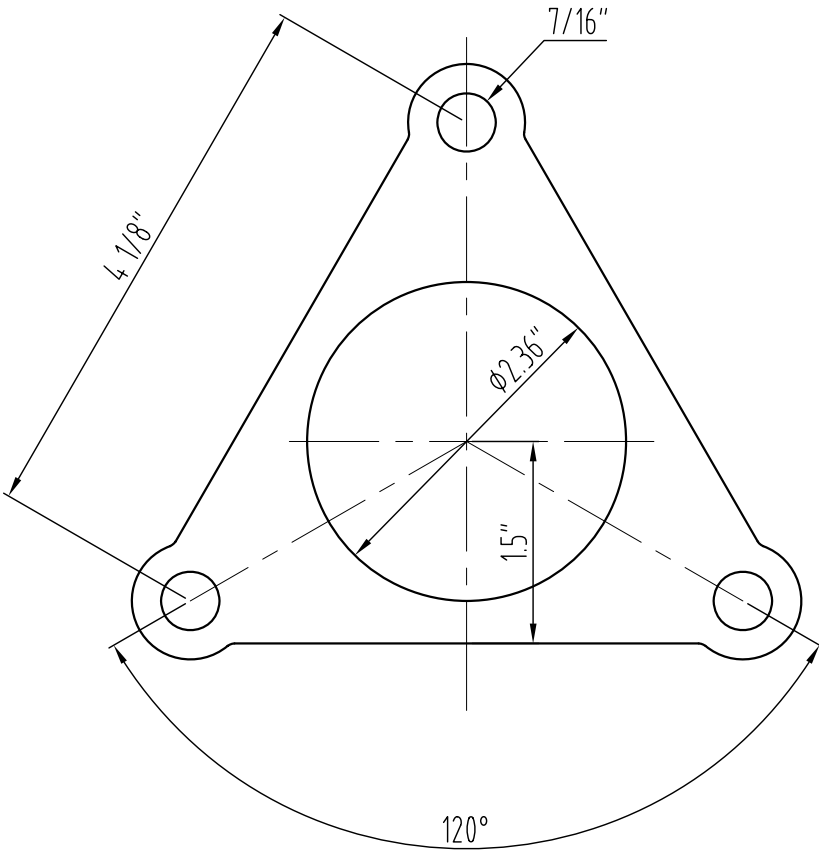
SIZE	DWG. NO.	REV
A		-

SCALE: 1:5 WEIGHT: SHEET 1 OF 1

A B C D E F G H

LED BOLLARD

Anchor plate



PROPRIETARY AND CONFIDENTIAL
THE INFORMATION CONTAINED IN THIS
DRAWING IS THE SOLE PROPERTY OF
RAYON LIGHTING GROUP INC. ANY
REPRODUCTION IN PART OR AS A WHOLE
WITHOUT THE WRITTEN PERMISSION OF
RAYON LIGHTING GROUP INC.
IS PROHIBITED.

RAYON LIGHTING GROUP INC.

TITLE:

SIZE A	DWG. NO.	REV -
------------------	----------	----------

SCALE: 1:5	WEIGHT:	SHEET 1 OF 1
------------	---------	--------------

A B C D E F G H