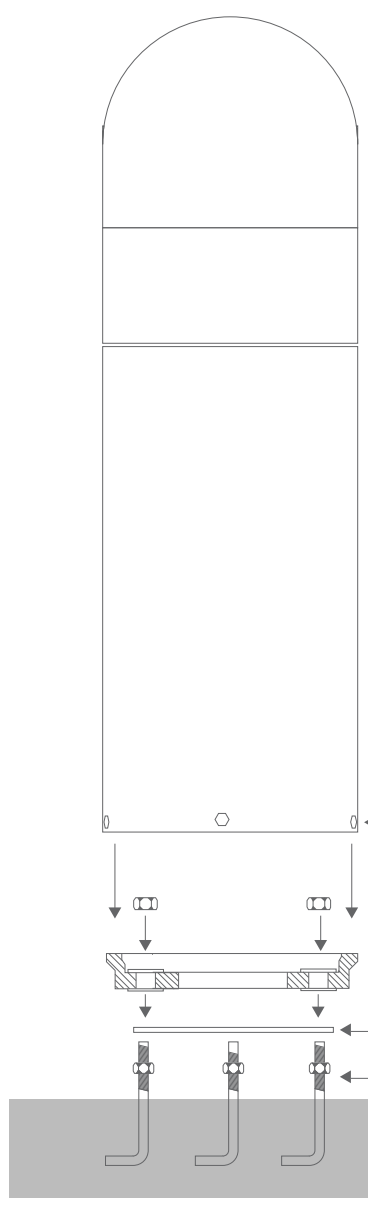
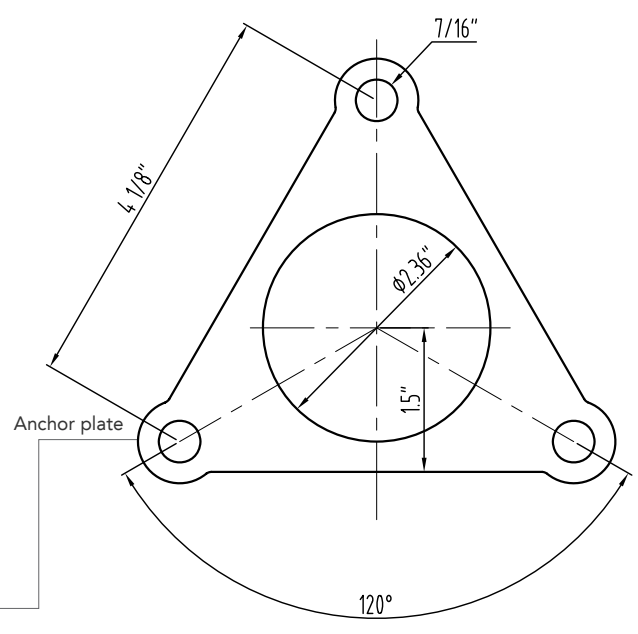
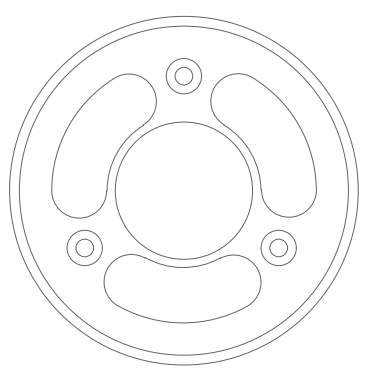


10  
9  
8  
7  
6  
5  
4  
3  
2  
1

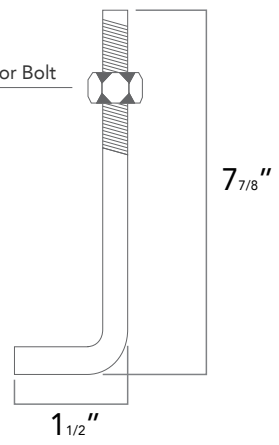


Bottom Mounting Plate



CONCRETE

Anchor Bolt



PROPRIETARY AND CONFIDENTIAL  
THE INFORMATION CONTAINED IN THIS  
DRAWING IS THE SOLE PROPERTY OF  
RAYON LIGHTING GROUP INC. ANY  
REPRODUCTION IN PART OR AS A WHOLE  
WITHOUT THE WRITTEN PERMISSION OF  
RAYON LIGHTING GROUP INC.  
IS PROHIBITED.

RAYON LIGHTING GROUP INC.

TITLE:  
**T89XLED Series**

|      |          |     |
|------|----------|-----|
| SIZE | DWG. NO. | REV |
| A    |          | -   |

|            |         |              |
|------------|---------|--------------|
| SCALE: 1:5 | WEIGHT: | SHEET 1 OF 1 |
|------------|---------|--------------|

A B C D E F G H

# LED BOLLARD

Anchor plate

