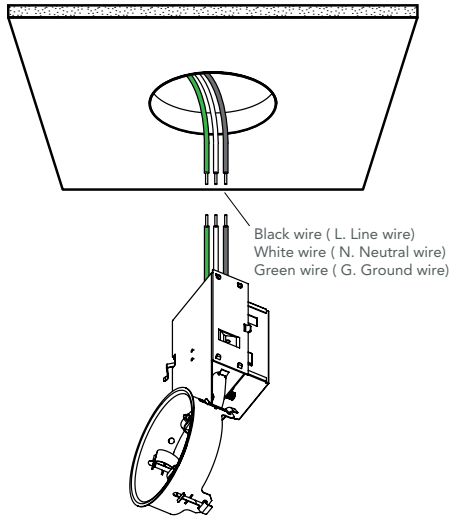
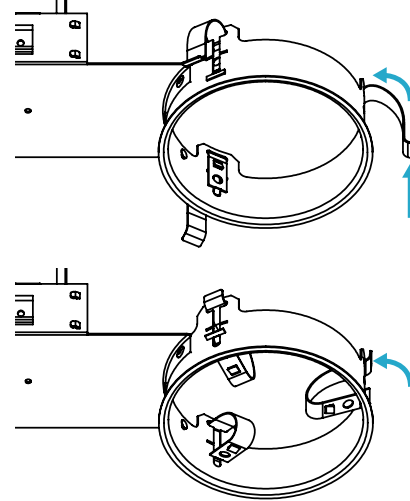


STEP 1
ELECTRICAL CONNECTION

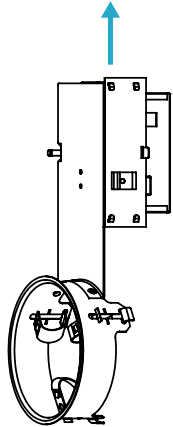
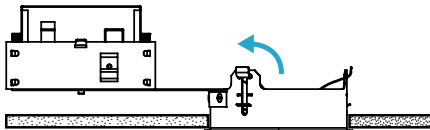


STEP 2
INSTALL THE REMODEL HOUSING

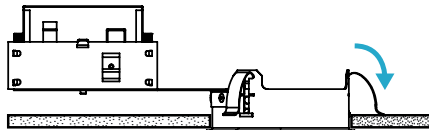
Step 2-A:
PUSH THE CLIPS INWARD.



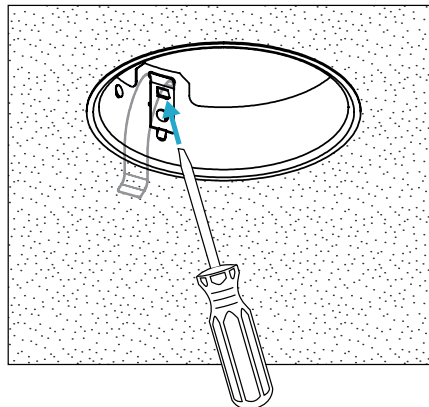
Step 2-B:
INSERT THE REMODEL HOUSING IN CEILING



Step 2-C:
PULL OUT THE CLIPS AND FIX ON THE CEILING.

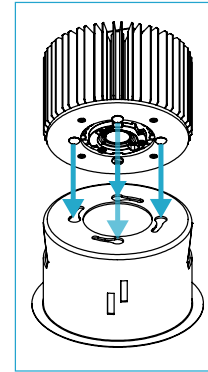


Step 2-D:
USE SCREWDRIVER TO FASTEN THE CLIPS.

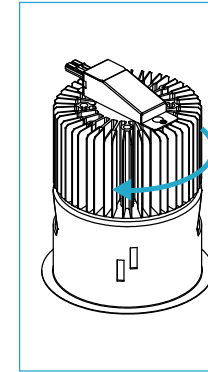


STEP 3
COMBINE THE MODULE

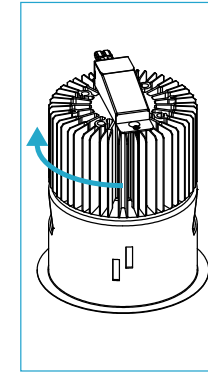
Step 3-A:
ALIGN THE FOUR HOLES.



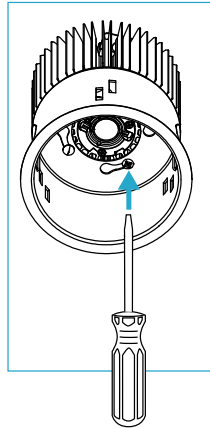
Step 3-B:
ROTATE THE HEAT SINK.



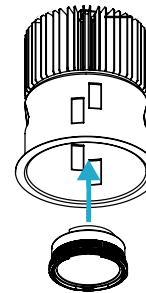
Step 3-C:
THE MODULE LOCKED
WITH A CLICK.



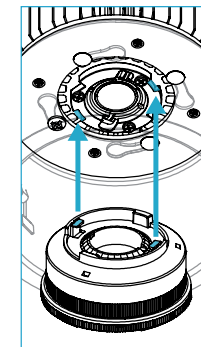
Step 3-D:
USE TOOL TO FASTEN
SCREW AT THE BOTTOM
OF THE BODY.



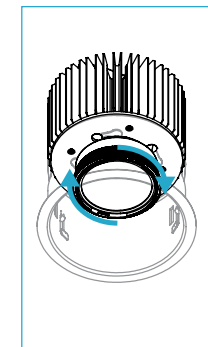
STEP 4
LENS



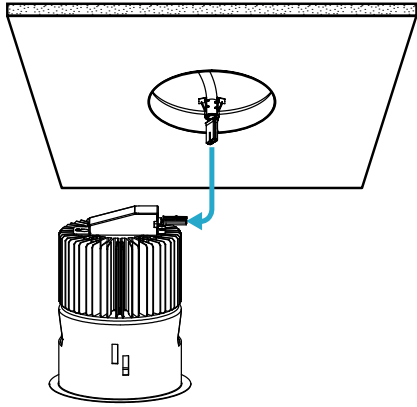
Step 6-A
ALIGN THE MODULE
AND LENS



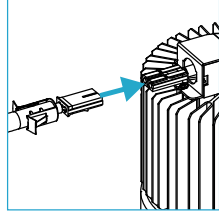
Step 6-B
TURN IN A "CLOCKWISE" DIRECTION
TO MOUNT THE LENS TO MODULE



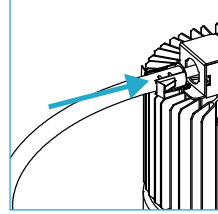
STEP 5
ELECTRICAL CONNECTION



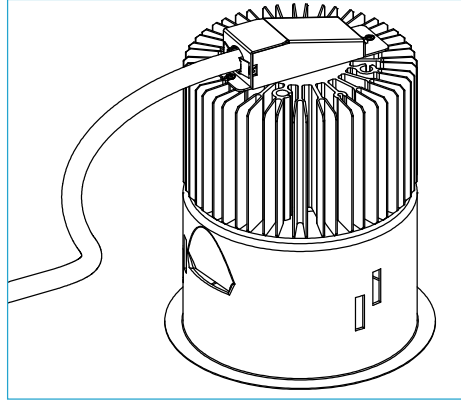
Step 5-A
CONNECT MALE & FEMALE
QUICK CONNECTOR.



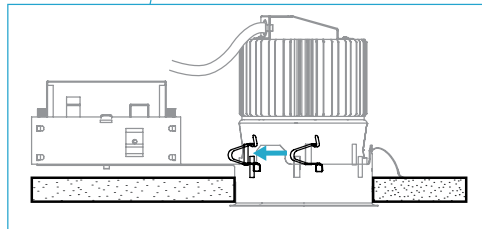
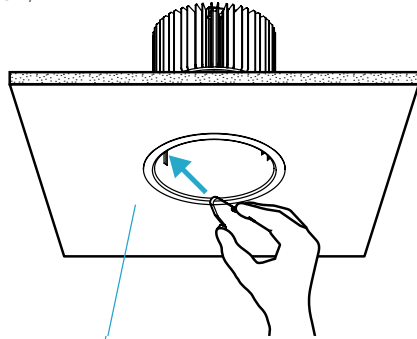
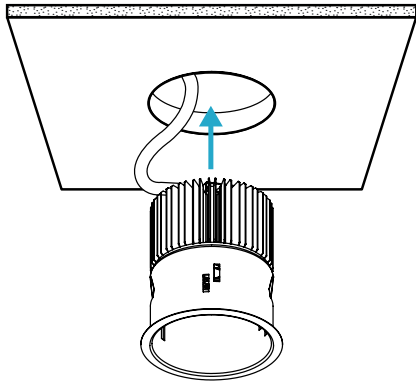
Step 5-B
INSERT QUICK CONNECTOR
INTO BASE.



Step 5-C
LOCKED WITH A CLICK.



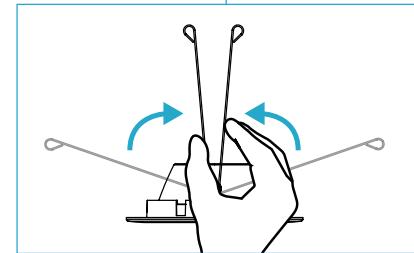
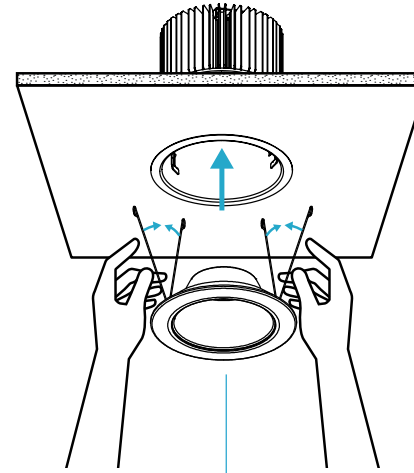
STEP 4
FIX WITH CLIPS
INSERT MODULE INTO THE CEILING AND USE CLIPS TO SECURE MODULE,
INSERT THE CLIPS INTO THE HOLES.



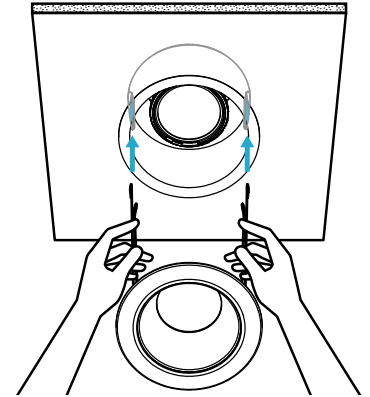
THE MODULE LOCKED WITH A "CLICK".

STEP 7
REFLECTOR

Step 7-A:
CLAMP THE REFLECTOR CLIP.



Step 7-B:
INSERT THE REFLECTOR CLIP INTO HOLES.
ON SIDE OF MODULE



Step 7-C:
PUSH INTO CEILING TO COMPLETE THE INSTALLATION.

