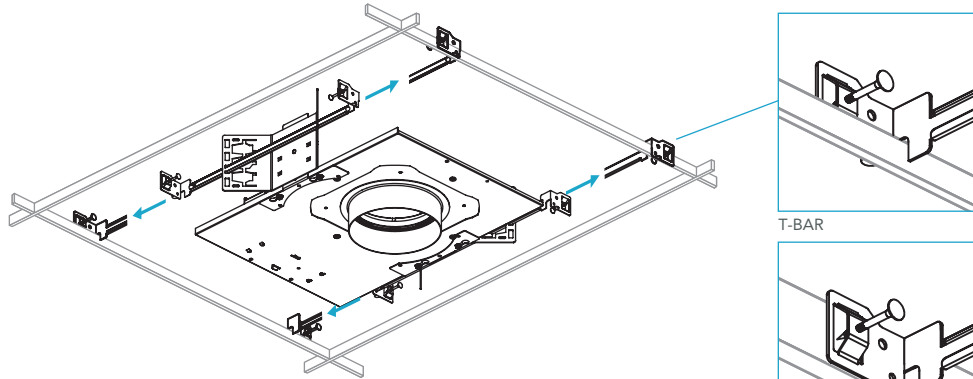
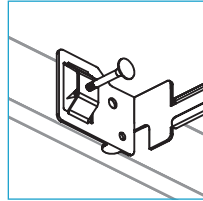


**STEP 1**  
FLAT BAR HANGER

EXTEND FLAT BAR HANGER TO ADJUST THE APPROPRIATE DISTANCE AND LOCK IT WITH THE BRACKET OF CEILING.



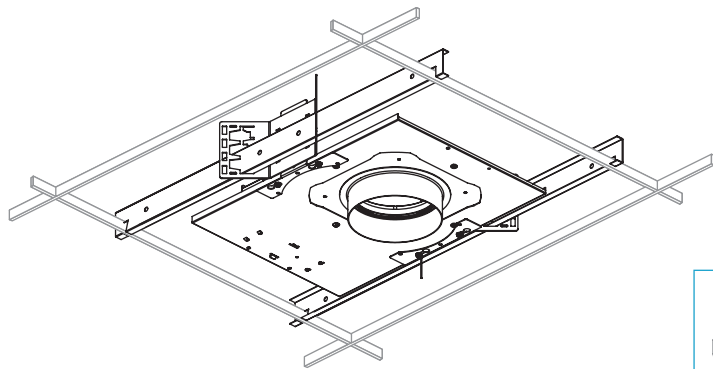
T-BAR



WOOD

**C CHANNEL BAR HANGER**

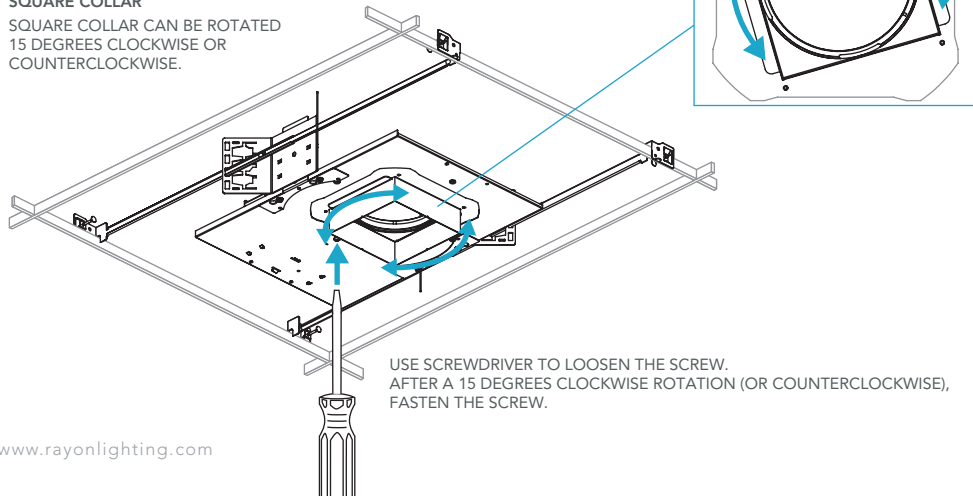
USE C CHANNEL BAR HANGER TO FIX HOUSING ON THE BRACKET OF CEILING.



**STEP 2**

**SQUARE COLLAR**

SQUARE COLLAR CAN BE ROTATED 15 DEGREES CLOCKWISE OR COUNTERCLOCKWISE.

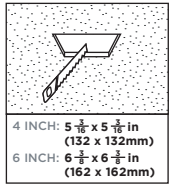
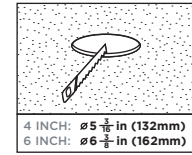


USE SCREWDRIVER TO LOOSEN THE SCREW.  
AFTER A 15 DEGREES CLOCKWISE ROTATION (OR COUNTERCLOCKWISE),  
FASTEN THE SCREW.

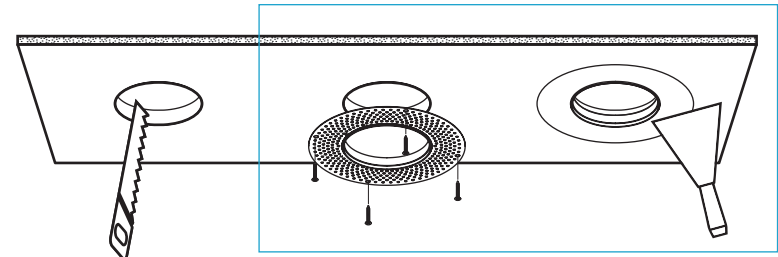
**STEP 3**

**CEILING CUT**

CUT APPROPRIATE SHAPE REFER TO ROUND/SQUARE SIZE CHART.



FOR TRIMLESS



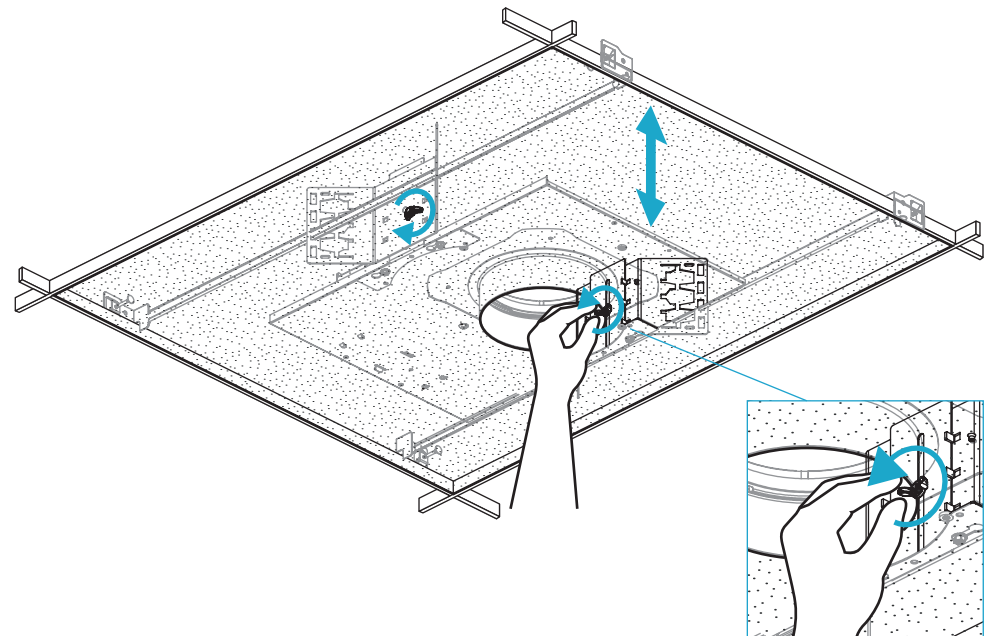
ATTACH MUD RING TO CEILING WITH SCREWS.

COVER MUD RING WITH A THIN LAYER OF FINISH PLASTER

**STEP 4**

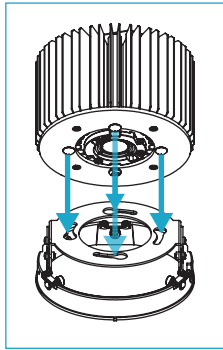
**WING NUTS**

LOOSEN THE WING NUTS FROM THE INSIDE AND ADJUST THE HEIGHT OF HOUSING WHEN THE HOUSING FIXED ABOVE THE CEILING.

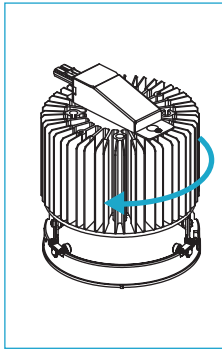


**STEP 5**  
COMBINE THE MODULE

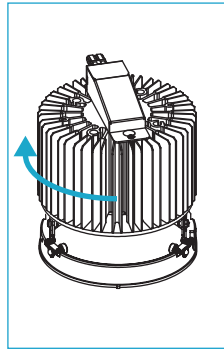
**Step 5-1 :**  
ALIGN THE FOUR HOLES.



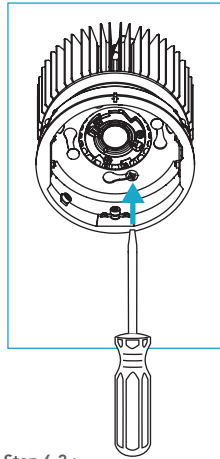
**Step 5-2 :**  
ROTATE THE HEAT SINK.



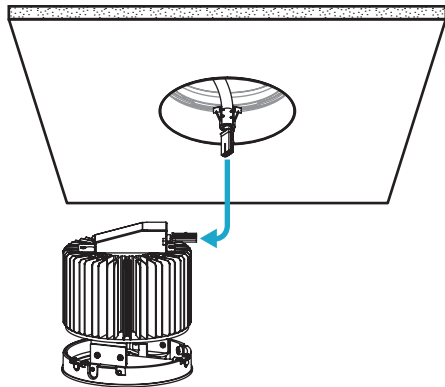
**Step 5-3 :**  
THE MODULE LOCKED WITH A CLICK.



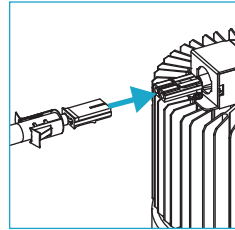
**Step 5-4 :**  
USE TOOL TO FASTEN SCREW AT THE BOTTOM OF THE BODY.



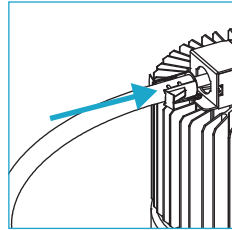
**STEP 6**  
ELECTRICAL CONNECTION



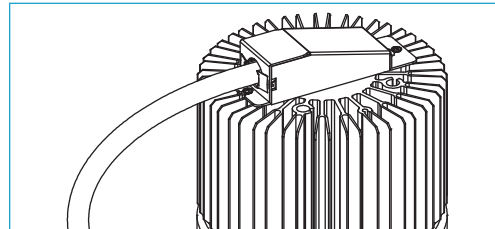
**Step 6-1 :**  
ALIGN WIRE AND LAMP HEAD.



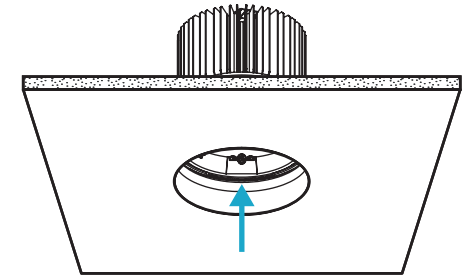
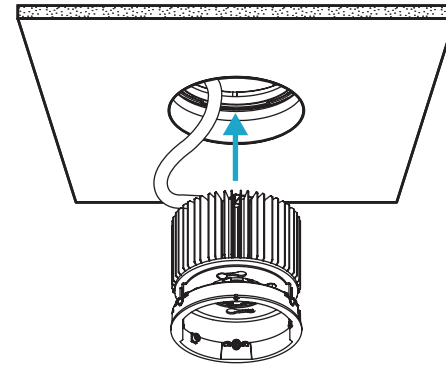
**Step 6-2 :**  
PUT WIRE INTO LAMP HEAD.



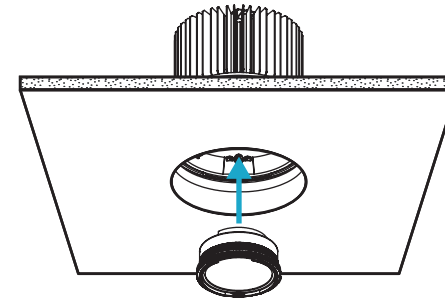
**Step 6-3 :**  
LOCKED WITH A CLICK.



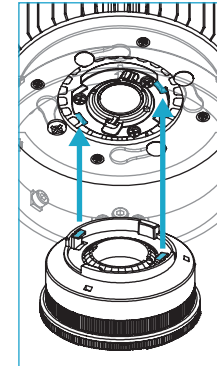
**STEP 7**  
INSERT THE MODULE  
PUT THE LIGHT INTO THE CEILING AND LOCKED WITH A CLICK.



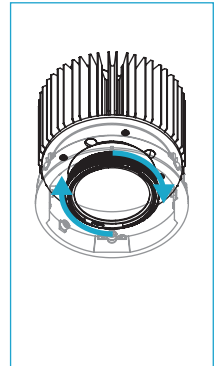
**STEP 8**  
LENS



**Step 8-1 :**  
ALIGN THE HEAT SINK AND LENS.

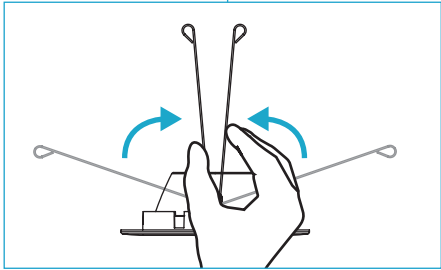
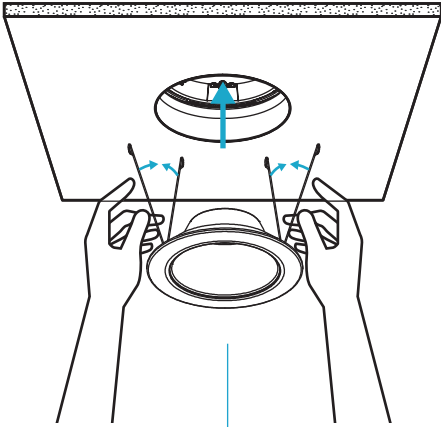


**Step 8-2 :**  
TURN IN A "CLOCKWISE" DIRECTION TO FIX THE LENS.

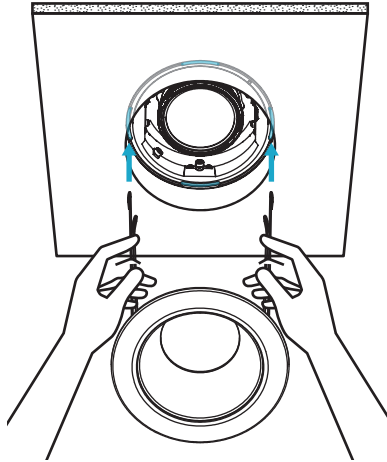


**STEP 9**  
REFLECTOR

**Step 9-1 :**  
CLAMP THE REFLECTOR CLIP.



**Step 9-2 :**  
PUT THE REFLECTOR CLIP INTO HOLES.



**Step 9-3 :**  
PUSH UP TO COMPLETE THE INSTALLATION.

