

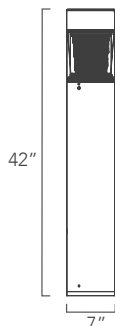


T893LED

LED ROUND FLAT TOP BOLLARD WITH CLEAR LENS

JOB INFORMATION	TYPE:
	CATALOG NO.:
	PROJECT NAME:
	COMMENTS:
	PREPARED BY:

DIMENSIONS



FEATURES

USE OF PRODUCT

The intended use of this product is to accentuate landscape areas, pedestrian pathways, and entranceways. It is an excellent source to guide walkways or driveways.

HOUSING

Extruded aluminum housing with flush mounting base and vandal resistant screws.

FINISH

Weather resistant, matt-finished powdercoat process for advanced protection in severe environments over a precise chromate conversion coating. Available in standard dark polyester bronze finish for impact, corrosion, and UV resistance. Consult factory for made to order architectural finishes.

OPTICS

Designed for maximum photometric efficiency and optimum light distribution. Clear polycarbonate lens for increased vandal resistance. One-piece silicon gasket prohibits entrance of outside contaminants. Provides 360° of low level lighting.

LED

High output LEDs offer a minimum estimated operating life of 50,000 hours in 3000K, 3500K, 4000K, or 5000K (standard) with CRI>83. LEDs placed on high performance aluminum heatsink for reduced junction temperatures and extended life.

DRIVER

Durable and long lasting LED driver operates at 120-277V and boasts a 90% power factor at 50 to 60 Hz with 0-10V Dimming Constant Current. Driver protections includes: Output open load, over-current and short-circuit, and over-temperature with auto recovery. -30°C Min Temp. 40°C Max Temp. Step down transformer may be utilized for 480V or 347V applications.

MOUNTING

- Mounting kit with anchor bolts are included.
- Internal ballast tray for easy maintenance.
- Bollard must be mounted on a concrete base. (Supplied by others)

LISTINGS/COMPLIANCE

- CEC Compliant emergency drive
- CSA-Suitable for wet locations



B.U.G. RATING

Watts	Lumens	B-U-G Rating
12w	460 lm	B0 - U2 - G1
20w	898 lm	B1 - U3 - G1
30w	1305 lm	B1 - U3 - G1

GFCI OUTLET



BOLLARD RETROFIT BASE KIT



ORDERING INFO

Series	Height	Watt/lumens	Voltage	Color temperature	Finish	Options
T-SERIES LED	42 - 42" MTO ¹ - Made to order	12 - 12W/460 lm 20 - 20W/898 lm 30 - 30W/1305 lm	UNV-120V-277V 347 - 347V 480 - 480V	30 - 3000K 35 - 3500K 40 - 4000K 50 ² - 5000K	BZ ³ - Bronze MTO ⁴ - Made to order MGTO ⁵ - Marin Grade made to order	PC1 - Photocell 120V PC2 - Photocell 277V EM - Emergency battery CEM - Cold pack emergency battery GO - GFCI Outlet BRBK ⁵ - Bollard retrofit base kit SP10 - Surge protection 10KV

Wireless Control

Notes:

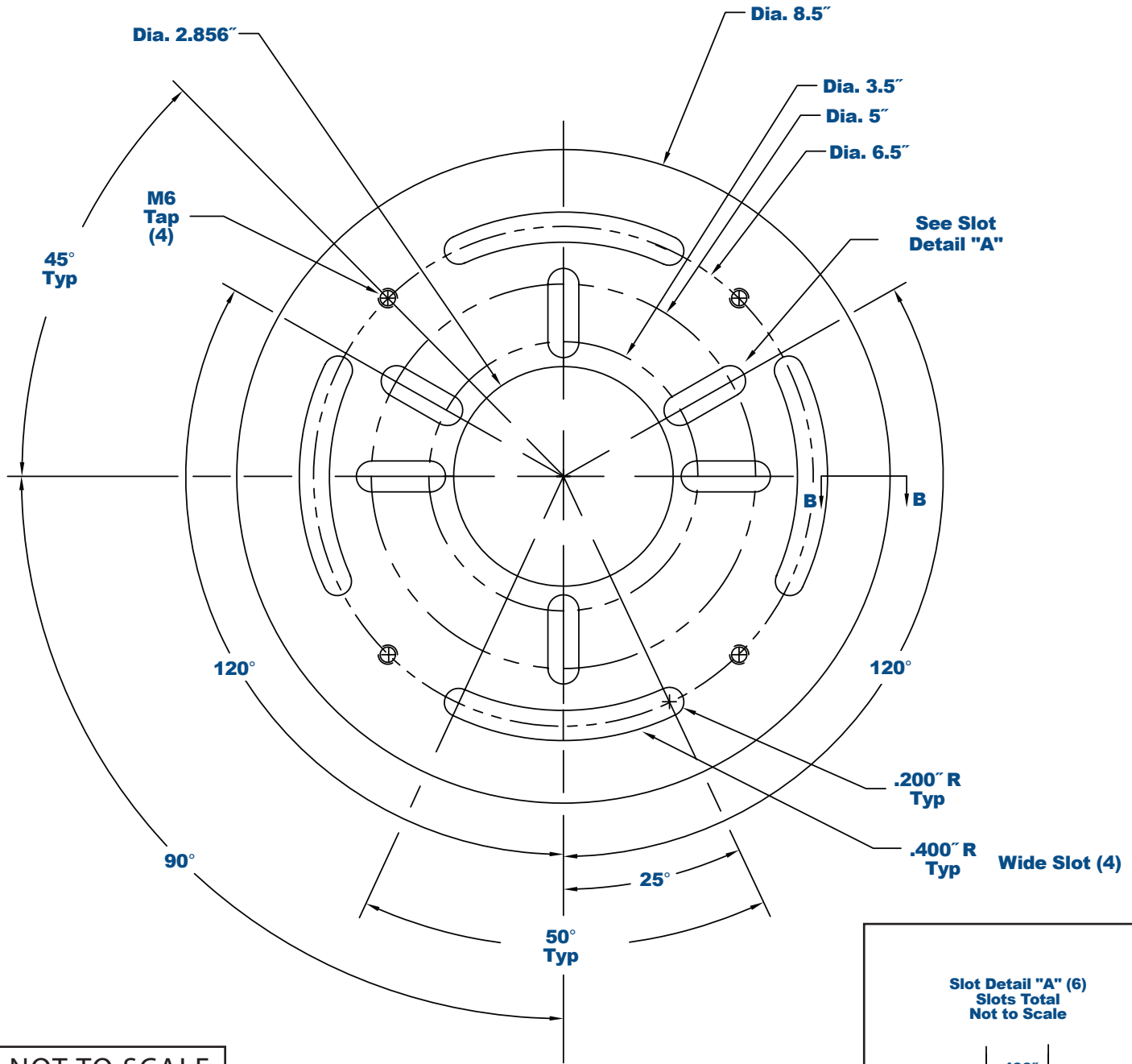
1. MTO Length between 42"-30"
2. Standard color temperature.
3. Standard finish.
4. RAL number required.
5. Available in bronze or black. Consult factory for additional finished.

- LPH - Limelight by Lutron Integral module with PIR sensor and external antennae, - High mounting height
- LPM - Limelight by Lutron Integral module with PIR sensor and external antennae - Medium mounting height
- LPL - Limelight by Lutron Integral module with PIR sensor and external antennae - Low mounting height
- LRF - Limelight by Lutron Integral module with external antennae, RF Only

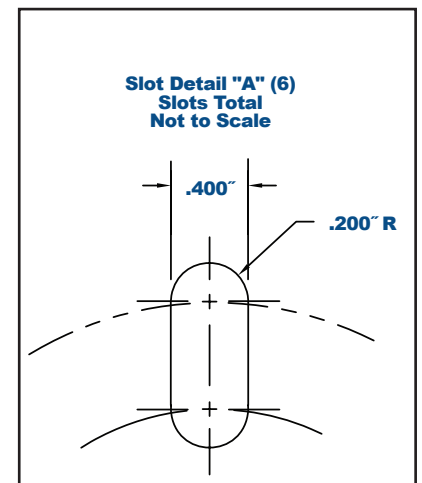
T893LED

LED ROUND FLAT TOP BOLLARD
WITH CLEAR LENS

BOLLARD RETROFIT BASE TEMPLATE



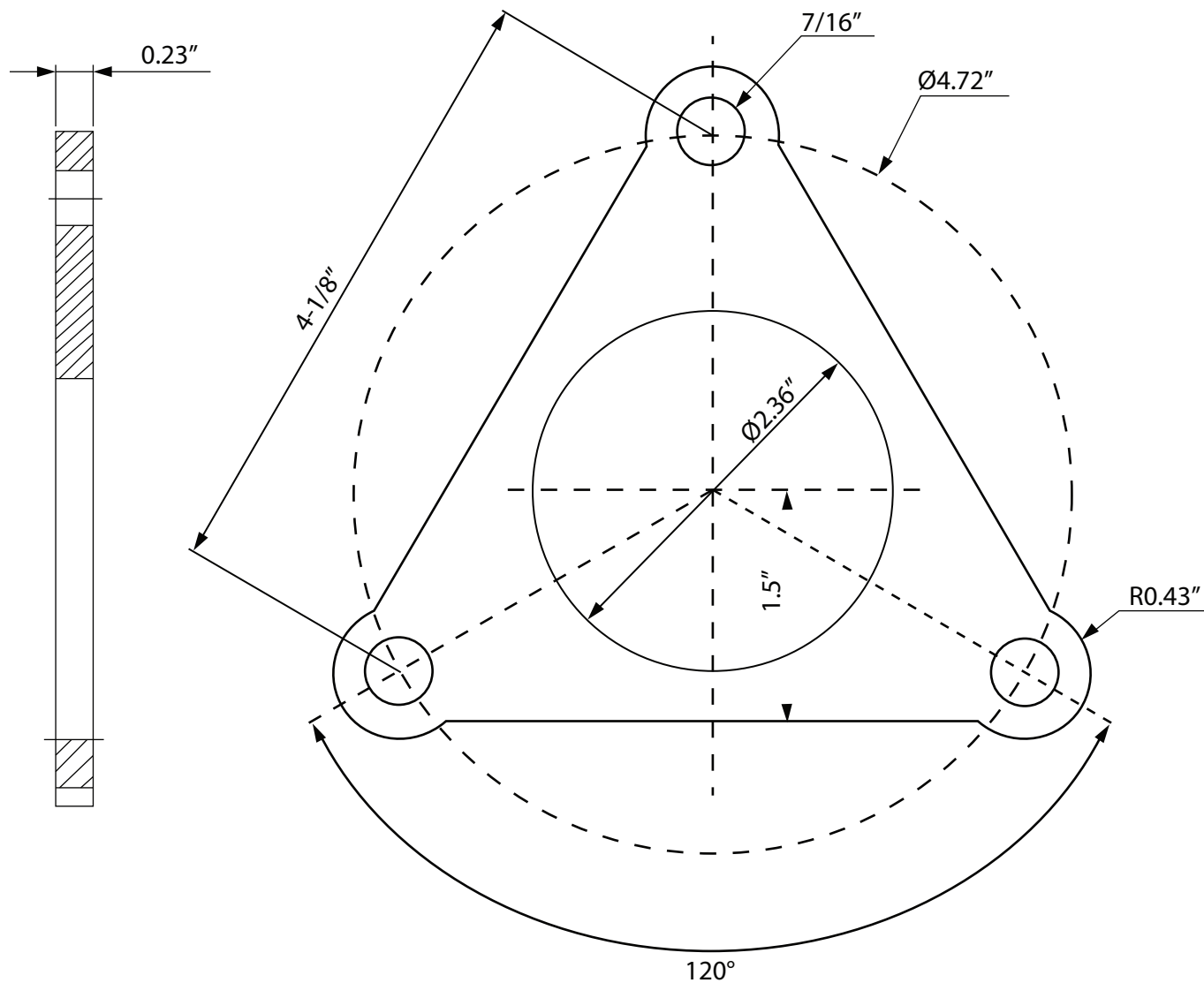
NOT TO SCALE



T893LED

LED ROUND FLAT TOP BOLLARD
WITH CLEAR LENS

BOLLARD RETROFIT BASE TEMPLATE



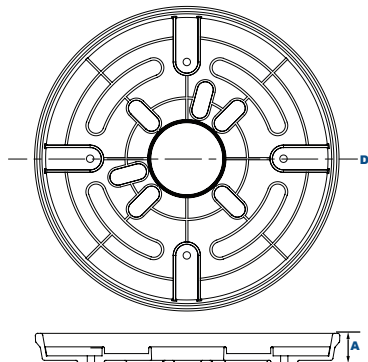
Technical Requirements:

1. No cracks, incomplete casting puffing, bubbles, or any perforative defects.
2. Unspecified chamfer is R2.
3. Remove glitches and sharp edges.
4. Draft angle is 1 degree.
5. Sureface treatment by customer's assignment.

T893LED

LED ROUND FLAT TOP BOLLARD WITH CLEAR LENS

BASE DIMENSIONS



Diameter (D): 10-3/4"
Height (A): 1"

BASE COVER DIMENSIONS

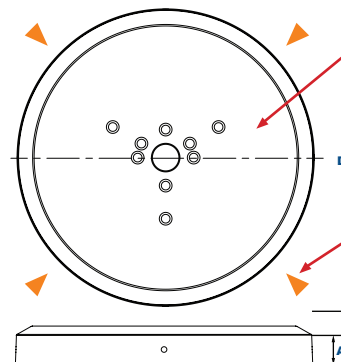


Plate has threaded holes in patterns for each bollard size/shape. Mounting bolts are included. bollard base mounts to plate.

Plate includes 4 set screws on sides at 90° for locking base cover to mounting plate. Fully rotatable.

Diameter (D): 11-1/2"
Height (A): 1-1/2"

BASE KIT INCLUDES

Heavy duty die cast aluminum Anchor Bolt Retrofit Adaptor Plate

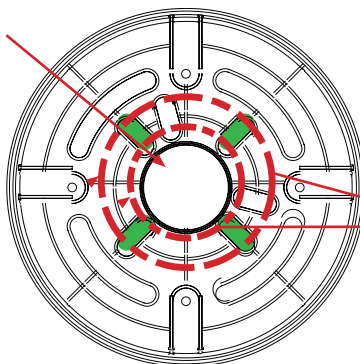
- Includes slots for existing anchor bolt mounting, 3@120°, 4@90° or 2@180° (3.5" to 5" diameter bolt circle). Slots can accommodate 1/4" to 3/8" diameter anchor bolts.
- Includes large diameter slots for installing field drilled anchors (not included) in the event that the existing anchor bolt pattern does not fit slots, or anchor bolts are damaged or unusable.
- Includes 4 Stainless Steel leveling bolts with two leveling bubbles at 90° to level base prior to mounting new bollard.
- Center conduit entrance hole designed to accommodate two 3/4" PVC conduits.

Heavy duty die cast aluminum Bollard Mounting Cover Plate

- Includes threaded holes in patterns to match bollard base mounting plates.
- Stainless Steel bolts for mounting bollard base plate.
- 4 Stainless Steel set screws at 90° for securing the cover plate to the adaptor plate. Cover plate can be rotated 360°. Powdercoat finish over chromate conversion coating in Bronze (standard) and available in made to order.

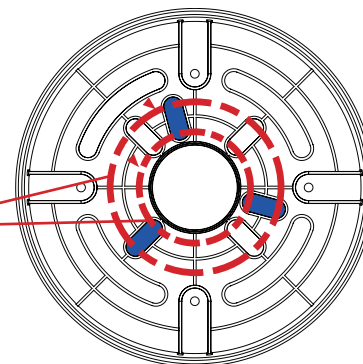
ANCHOR BOLT RETROFIT ADAPTER PLATE BOLT CIRCLES FOR USE WITH EXISTING ANCHOR BOLTS

Conduit Entrance area accommodates two 3/4" stub-ups.



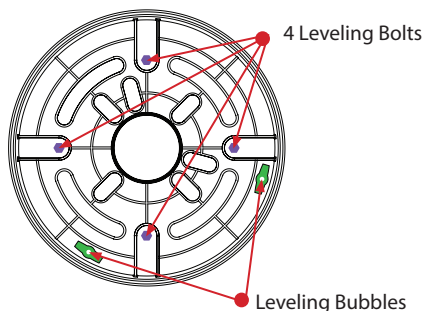
For use with 34 bolts @ 90° or
2 bolts @ 180°

Fits bolt circles from 3.5" to 5"



For use with 3 bolts @ 120°

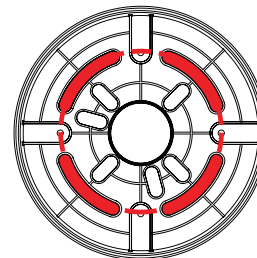
BASE LEVELING AND LEVELS



4 Leveling Bolts

Leveling Bubbles

CIRCLE FOR DRILLED ANCHORS



6.5" bolt circle for Drilled Anchors. Used when existing anchor bolts do not fit 4-bolt or 3-bolt slot or are damaged. these must be cut off and new drilled anchors installed