

T431 LEDB-WS65

MEDIUM LED FLOOD LIGHT

JOB INFORMATION

Type: _____
 Catalog No: _____
 Project Name: _____
 Comments: _____
 Prepared by: _____

T435LED

USE OF PRODUCT

The intended use of this product is for general flood lighting of courtyards, driveways, buildings, billboards, pedestrian walkways, public access areas, or recreation and landscape applications.

HOUSING

Low-profile housing constructed of die-cast aluminum. Rugged design meets ANSI C136.31 1.5G vibration requirements. Fully sealed, tempered with impact-resistant glass.

FINISH

Matt-finished, architectural bronze powdercoat over a precise chromate conversion coating. Available in standard dark polyester bronze or consult factory for made to order architectural finishes.

OPTICS

Optical system (NEMA 7Hx7V) with scalable lumen packages ranging from 2,050 to 19,000 lumens. Clear, toughened tempered glass lens.

LED

High-performance LED modules is color selectable (3000K / 4000K / 5000K) with long-life operation. Mounted on high-performance aluminum heatsinks to reduce junction temperature and extend LED lifespan.

DRIVER

Universal 120–277V input, operating at 50–60 Hz. Standard 0–10V dimming driver allows dimming from 100% down to 10%. Four adjustable wattage levels per model (100%, 80%, 60%, 40%) for flexible application. Power factor >90%, THD <20%. Driver protections include over-current, short-circuit, and over-temperature safeguards with auto recovery. Operating temperature: -40°C to +40°C (-40°F to +104°F).

MOUNTING

Multiple mounting options available, including 1/2" NPS Knuckle, Slipfitter, Trunnion, and Swivel Bracket, for maximum installation flexibility.

LISTINGS/COMPLIANCE

- UL / cUL listed for wet locations.
- DesignLights Consortium™ (DLC) Qualified.
- Five-year limited warranty.



ORDERING INFO

SERIES	WATT/LUMENS	COLOR TEMPERATURE	VOLTAGE
T431LEDB	WS65 - Wattage Selectable (26W, 39W, 52W 65W) S26W - Set at 26W (3900 lm) S39W - Set at 39W (5900 lm) S52W - Set at 52W (7800 lm) S65W - Set at 65W (9200 lm)	CTS - Color Temperature Selectable (3000K, 4000K, 5000K) S30K - Color Temp. set at 3000K S40K - Color Temp. set at 4000K S50K - Color Temp. set at 5000K	UNV - 120V-277V

MOUNTING	FINISH	OPTIONS	Note
TR - Trunion KN - Knuckle	BZ - Bronze	PC - Photocell 120-277V	1. Bronze is standart finish

T431LEDB-WS65

MEDIUM LED FLOOD LIGHT

PERFORMANCE

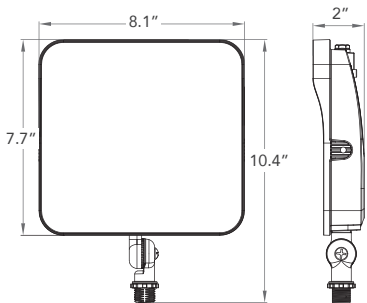
PERFORMANCE CHART								
SYSTEM WATTS	DISTRIBUTION TYPE	CRI	3000K		4000K		5000K	
			LUMENS	LPW	LUMENS	LPW	LUMENS	LPW
65W	7Hx7V	70	9,200 lm	142 lm/W	9,700 lm	149 lm/W	9,400 lm	145 lm/W

WATTAGE SELECTABLE OUTPUT CHART		
SETTING	WS65	
	WATTAGE	LUMENS
40%	26W	3900 lm
60%	39W	5900 lm
80%	52W	7800 lm
100%	65W	9200 lm

*Values listed in 5000K

T431LEDB-WS65 DIMENSIONS

Knuckle Mount



Trunnion Mount

