



T431 LEDB-WS27

SMALL LED FLOOD LIGHT

JOB INFORMATION

Type: _____
 Catalog No: _____
 Project Name: _____
 Comments: _____
 Prepared by: _____

T435LED

USE OF PRODUCT

The intended use of this product is for general flood lighting of courtyards, driveways, buildings, billboards, pedestrian walkways, public access areas, or recreation and landscape applications.

HOUSING

Low-profile housing constructed of die-cast aluminum. Rugged design meets ANSI C136.31 1.5G vibration requirements. Fully sealed, tempered with impact-resistant glass.

FINISH

Matt-finished, architectural bronze powdercoat over a precise chromate conversion coating. Available in standard dark polyester bronze or consult factory for made to order architectural finishes.

OPTICS

Optical system (NEMA 7Hx7V) with scalable lumen packages ranging from 2,050 to 19,000 lumens. Clear, toughened tempered glass lens.

LED

High-performance LED modules is color selectable (3000K / 4000K / 5000K) with long-life operation. Mounted on high-performance aluminum heatsinks to reduce junction temperature and extend LED lifespan.

DRIVER

Universal 120–277V input, operating at 50–60 Hz. Standard 0–10V dimming driver allows dimming from 100% down to 10%. Four adjustable wattage levels per model (100%, 80%, 60%, 40%) for flexible application. Power factor >90%, THD <20%. Driver protections include over-current, short-circuit, and over-temperature safeguards with auto recovery. Operating temperature: -40°C to +40°C (-40°F to +104°F).

MOUNTING

Multiple mounting options available, including 1/2" NPS Knuckle, Slipfitter, Trunnion, and Swivel Bracket, for maximum installation flexibility.

LISTINGS/COMPLIANCE

- UL / cUL listed for wet locations.
- DesignLights Consortium™ (DLC) Qualified.
- Five-year limited warranty.



ORDERING INFO

SERIES	WATT/LUMENS	COLOR TEMPERATURE	VOLTAGE
T431LEDB	WS27 - Wattage Selectable (10W, 16W, 21W 27W) S10W - Set at 10W (1700 lm) S16W - Set at 16W (2200 lm) S21W - Set at 21W (2800 lm) S27W - Set at 27W (3600 lm)	CTS - Color Temperature Selectable (3000K, 4000K, 5000K) S30K - Color Temp. set at 3000K S40K - Color Temp. set at 4000K S50K - Color Temp. set at 5000K	UNV - 120V-277V

MOUNTING	FINISH	OPTIONS	Note
TR - Trunnion KN - Knuckle	BZ ¹ - Bronze	PC - Photocell 120-277V	1. Bronze is standard finish

T431LEDB-WS27

SMALL LED FLOOD LIGHT

PERFORMANCE

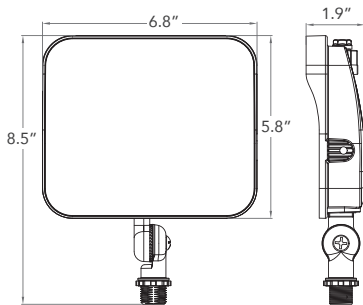
PERFORMANCE CHART								
SYSTEM WATTS	DISTRIBUTION TYPE	CRI	3000K		4000K		5000K	
			LUMENS	LPW	LUMENS	LPW	LUMENS	LPW
27W	7Hx7V	70	3,500 lm	130 lm/W	3,800 lm	141 lm/W	3,600 lm	133 lm/W

WATTAGE SELECTABLE OUTPUT CHART		
SETTING	WS27	
	WATTAGE	LUMENS
40%	10W	1700 lm
60%	16W	2200 lm
80%	21W	2800 lm
100%	27W	3600 lm

*Values listed in 5000K

T431LEDB-WS27 DIMENSIONS

Knuckle Mount



Swivel Bracket Mount

