

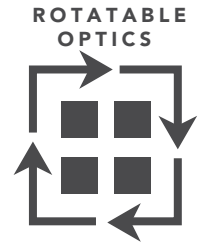
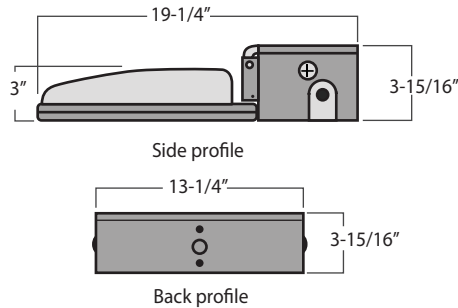
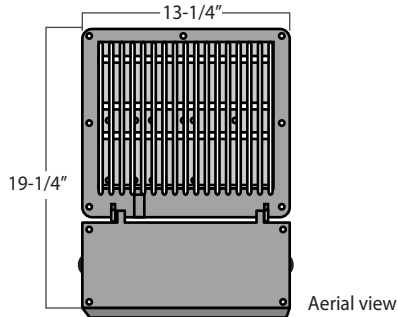


JOB INFORMATION	TYPE:
	CATALOG NO.:
	PROJECT NAME:
	COMMENTS:
	PREPARED BY:

T349LED

19" SLIM LED AREA/FLOOD/WALL MOUNT

DIMENSIONS



FEATURES

USE OF PRODUCT

The intended use of this product is ideal for highways, streets, parking lots, public entrances, and any commercial or industrial applications.

HOUSING

Rugged die cast aluminum housing with easy access to fixture compartment.

FINISH

Standard Matt-finished, architectural powdercoat over a precise chromate conversion coating. Consult factory for custom architectural finishes.

OPTICS

White aluminum reflector is designed for maximum photometric efficiency and optimum

light distribution. Rotatable optics available in Type I, II, III, IV or V. Flat glass lens provides impact resistance. Lens sealed by a one-piece silicon gasket which prohibits entrance of outside contaminants.

LED

High output LEDs offer a minimum estimated operating life of 50,000 hours in 5000K with CRI>83; Efficacy: 119lm/W. LEDs placed on high performance aluminum heatsink for reduced junction temperatures and extended life.

EPA

Effective Projected Area (Sq. Ft.): 0.554 ft² (1 fixture)

DRIVER

Durable and long lasting LED dimmable driver operates at 120-277V; Power factor: 0.90; 50 to 60 Hz.

LISTINGS/COMPLIANCE

- CEC Compliant emergency driver
- CSA - Listed for wet locations.
- DLC

ORDERING INFO

Next Page

JOB INFORMATION	TYPE:
	CATALOG NO.
	PROJECT NAME:
	COMMENTS:
	PREPARED BY:

ORDERING INFO


T349LED					
SERIES	WATT/LUMENS	VOLTAGE	COLOR TEMPERATURE	DISTRIBUTION TYPES	MOUNTING
T-SERIES LED	58 - 58W/6032 84 - 84W/8756 119 - 119W/12354 170 - 170W/17510 240 - 240W/25540	UNI12-120V-277V 347 ¹ - 347V 480 ¹ - 480V	30 - 3000K 35 - 3500K 40 ² - 4000K 50 - 5000K	T1 - Type I T2 - Type II T3 - Type III T4 - Type IV T5 ³ - Type V	SB - Swivel Bracket SF - Slipfitter TSAM6S - 6" Arm mount square pole TSAM10S - 10" Arm mount square pole TSAM6R - 6" Arm mount round pole TSAM10R - 10" Arm mount round pole TWMB-SF ⁴ - Wall mount bracket with slipfitter TWMB90-SF ⁴ - Wall mount 90° bracket with slipfitter

FINISH	OPTIONS	WIRELESS CONTROL
BZ - Bronze MTO - Made to Order	PC1 - Photocell 120V PC2 - Photocell 277V PN - Photocell NEMA MS - Motion Sensor (Integral) SDT - Step Down Transformer HSS - House side shield	LPH - Lutron wireless radio module and sensor (high 40') LPM - Lutron wireless radio module and sensor (medium 20') LPF - Lutron wireless radio module only

Notes:

1. Step down transformer Required.
2. Standard color temperature.
3. Standard distribution type.
4. Requires slipfitter.

ORDERING INFO (DLC)

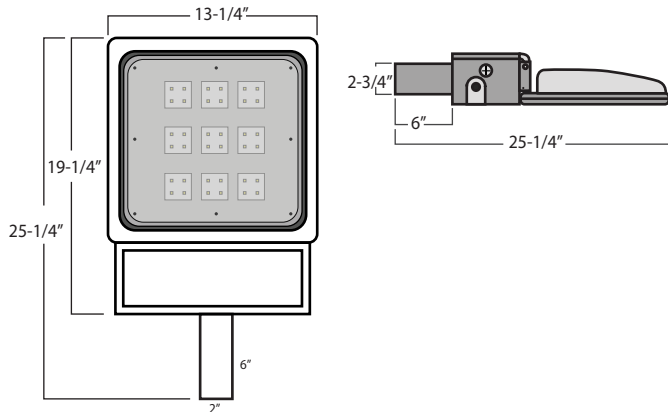
	T349LEDB	211		50				
SERIES	WATT/LUMENS	VOLTAGE	COLOR TEMPERATURE	MOUNTING	FINISH			
T-SERIES LED	211 ¹ - 211W/25343	UNI12-120V-277V 347 ² - 347V 480 ² - 480V	50 - 5000K	SB - Swivel bracket SF - Slipfitter TSAM6S - 6" Arm mount square pole TSAM10S - 10" Arm mount square pole TSAM6R - 6" Arm mount round pole TSAM10R - 10" Arm mount round pole TWMB-SF ³ - Wall mount bracket with slipfitter TWMB90-SF ³ - Wall mount 90° bracket with slipfitter	BZ - Bronze MTO - Made to Order			
<table border="1"> <tr> <th>OPTIONS</th> </tr> <tr> <td>PC1 - Photocell 120V PC2 - Photocell 277V PN - Photocell NEMA MS - Motion Sensor (Integral)</td> </tr> <tr> <td>SDT - Step Down Transformer HSS - House side shield</td> </tr> </table>						OPTIONS	PC1 - Photocell 120V PC2 - Photocell 277V PN - Photocell NEMA MS - Motion Sensor (Integral)	SDT - Step Down Transformer HSS - House side shield
OPTIONS								
PC1 - Photocell 120V PC2 - Photocell 277V PN - Photocell NEMA MS - Motion Sensor (Integral)								
SDT - Step Down Transformer HSS - House side shield								

Notes:

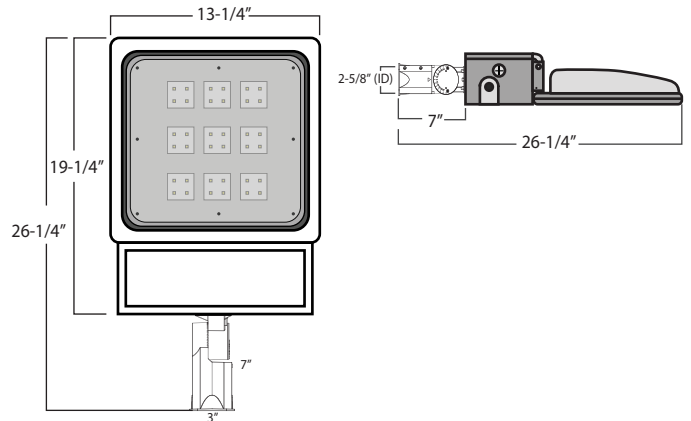
1. DLC Qualified.
2. Step down transformer Required.
3. Requires slipfitter

MOUNTING DIMENSIONS

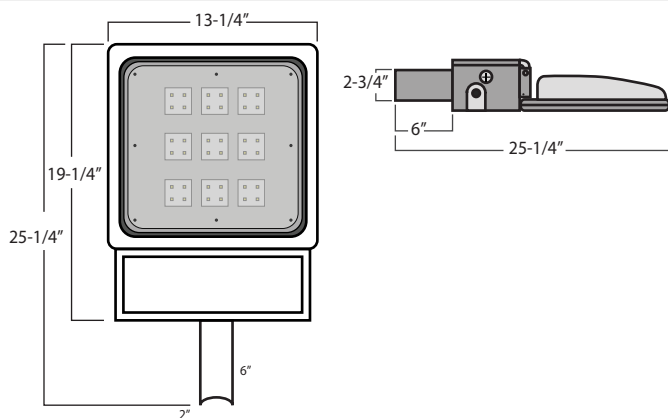
TSAM6/10S - 6"/10" Arm mount square pole



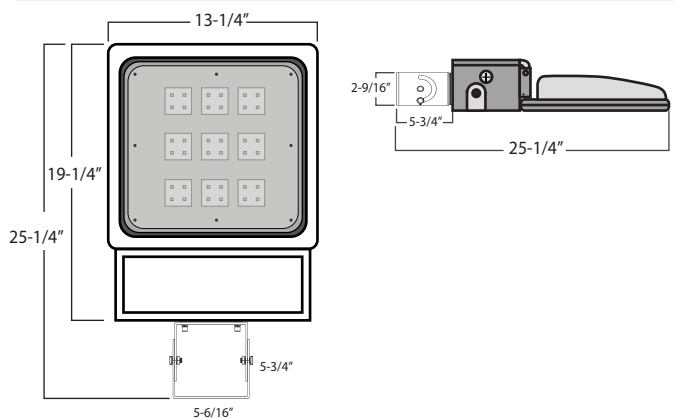
SF - Slipfitter



TSAM6/10R - Arm mount round



SB - Swivel bracket



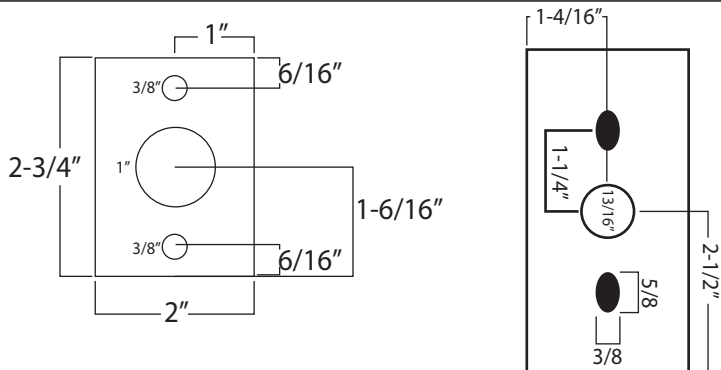
TWMB-SF - Wall mount bracket with slipfitter



TWMB90-SF - Wall mount 90° bracket with slipfitter



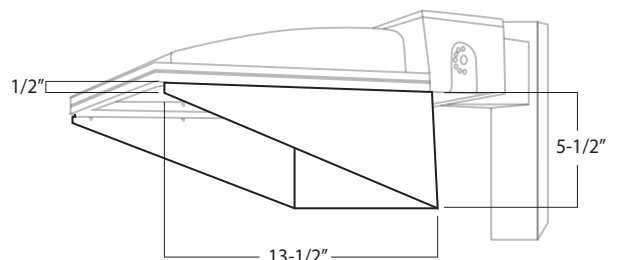
POLE ARM DRILL PATTERN

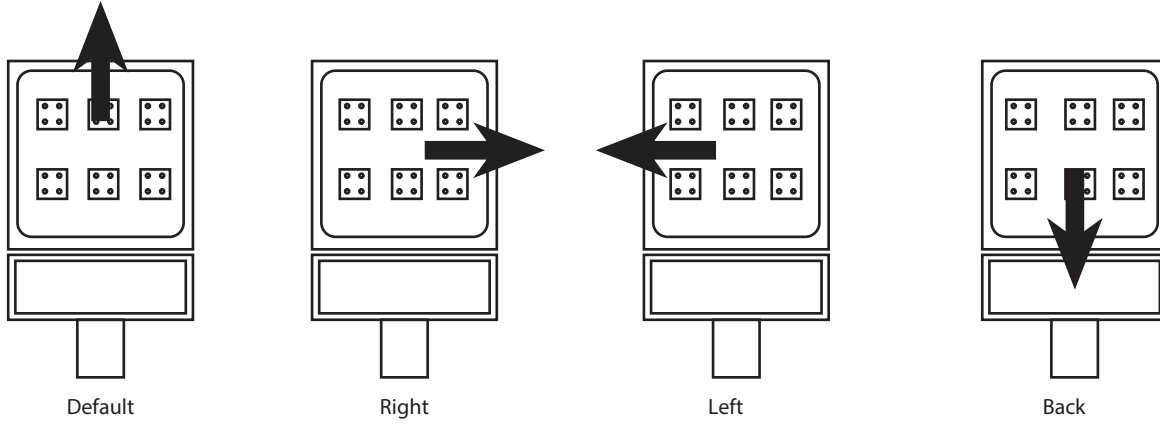


6"/10" Square arm mount drill pattern

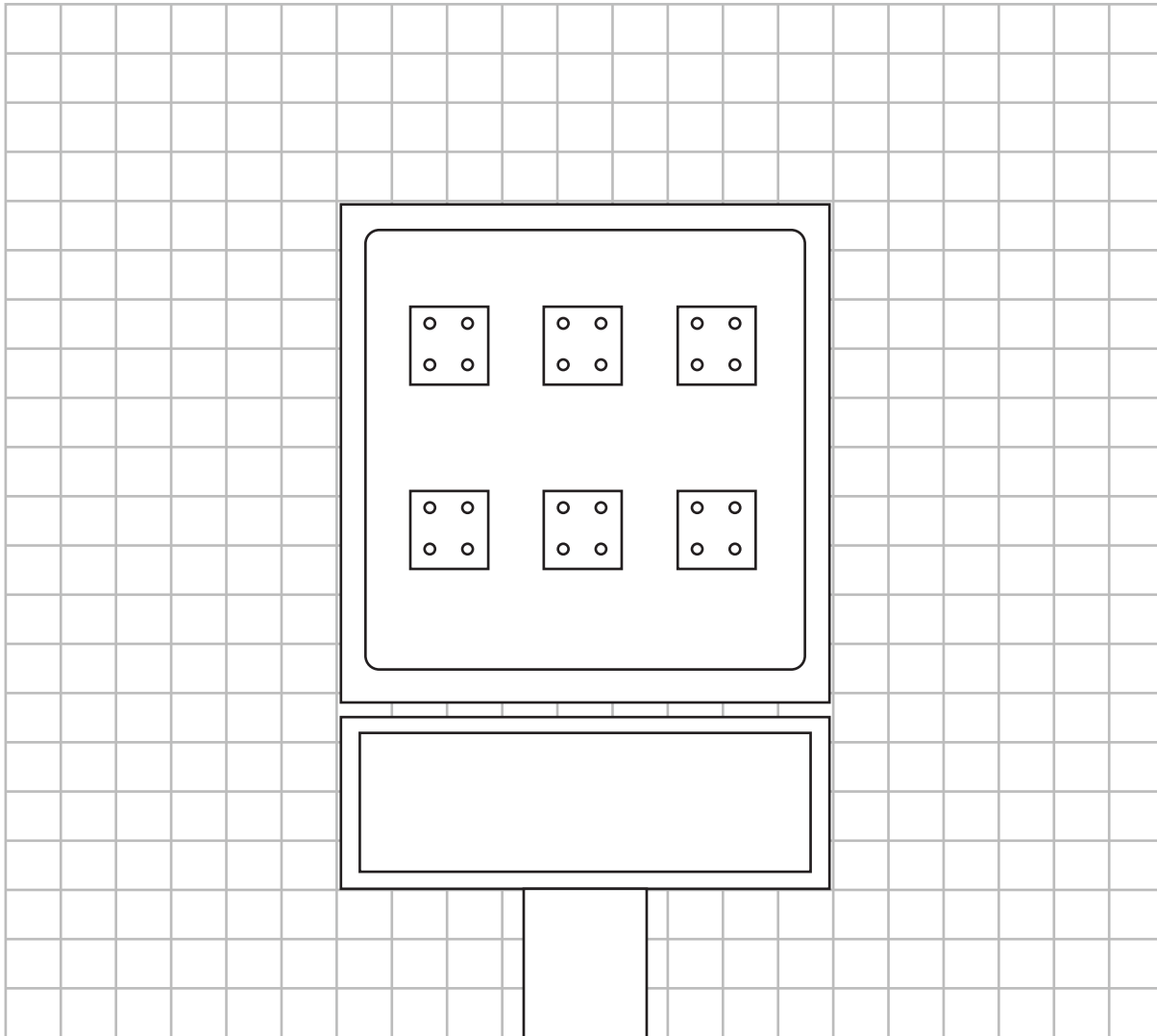
Swivel Bracket

VISOR GUARD



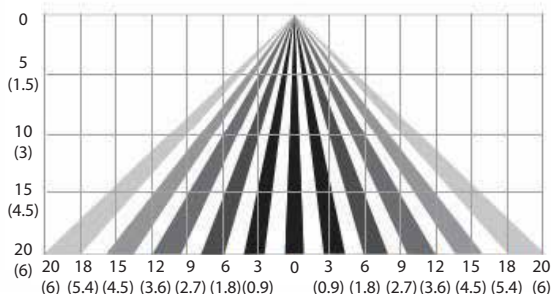
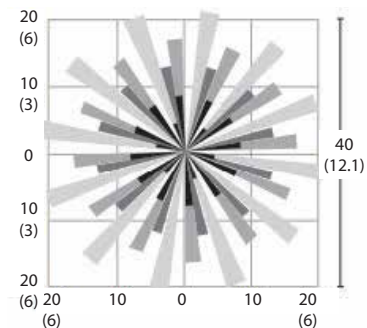


Please illustrate optic direction below and consult with factory

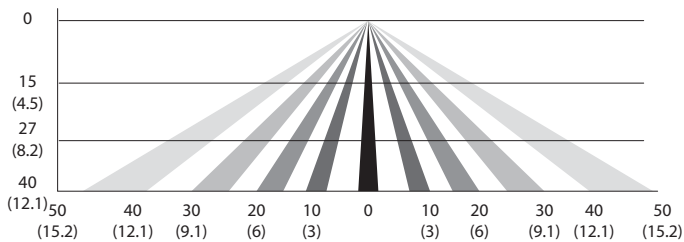
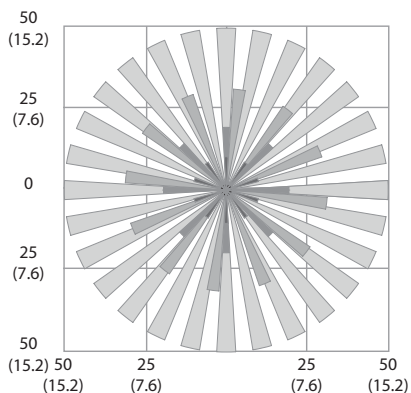


PIR HEIGHT

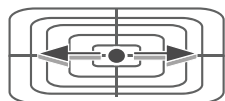
LPM - Lutron wireless radio module and sensor (medium mounting height 20ft)



LPH - Lutron wireless radio module and sensor (high mounting height 40ft)



DISTRIBUTION TYPE



TYPE I

Type I is intended for walkways, roadways or any narrow paths. Typically known for its two-way lateral distribution having a preferred lateral width of 15° at the cone. Type 1 focuses majority of its light near the center of the pathway for even light disbursement since the light projects laterally at a 15° angle.



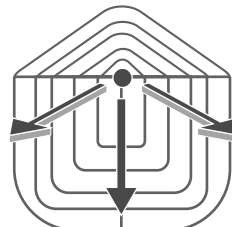
TYPE II

Type II distribution is well suited for expanded walkways, entrance roadway lighting and other applications. Having a lateral width of 18-29° means this type is meant for lighting larger areas.



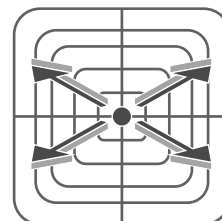
TYPE III

Type III distribution is well suited for roadway lighting, general parking areas and other areas where a larger area of light is required because it gives more coverage further from the point source outward. Type III distribution provides a wide, round pattern and yields an even light disbursement since the light projects outward.



TYPE IV

Type IV distribution is best intended for sides of buildings and walls because of its semicircular light pattern. Type IV has a preferred lateral width of 60° make it ideal for parking area and court yard.



TYPE V

Type V distribution is intended for mounting at or near center of roadways, center islands of parkways or an intersection. Type V provides central circular or square design pattern, equally across all angles from a central point. It provides the most even pattern of light since light is pushed in all direction from the center.