



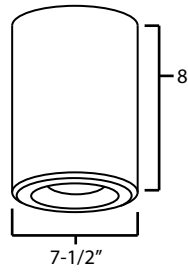
RFL6-CY-8

Architectural Cylinder

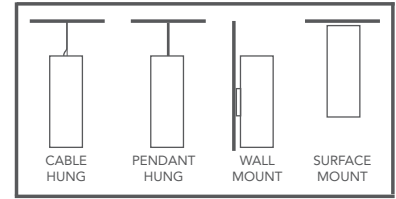
PROJECT: _____
MODEL #: _____
LOCATION: _____
CONTACT: _____



DIMENSIONS



MOUNTING FEATURES



Use of Product

The Architectural Cylinder Series may be used in hospitality, commercial, retail, and residential applications. This product will reduce energy consumption, emits little heat, and reduces cooling loads for added costs savings. Approximately 75% in energy savings compared to incandescent light source

Housing

Rugged aluminum housing.

Architectural Cylinder Features

- Wattage/Lumens/Voltage:
12 Watts/800 Lumens/120V or
17 Watts/1100 Lumens/120V/277V
- Color Temperature: 2700K, 3000K, 3500K, or 4000K
- SDCM: 2 Step binning
- Color Rendering Index: 93 CRI Typical
- LED Life: 50,000 hours
- LED Type: Cree LED for maximum light output
- Versatility: Interchangeable baffle, reflector and trim ring
- Warranty: 5 Year Limited Warranty

LED Driver

Durable 120 Volt dimmable driver provides high power factor with optimum thermal management to prevent damage caused by high temperature.

Dimming

The Architectural Cylinder Series is dimmable to 15% with standard 120 Volt electronic low voltage dimmers, various incandescent/magnetic low voltage dimmers, or to 5% with select dimmers.

Mounting

The Architectural Cylinder Series may be cable hung, stem mount, surface mount or wall mounted.

Module Mechanics

The Architectural Cylinder Series is constructed of a durable heat sink, baffle or reflector, trim ring, diffused lens, and Cree LEDs for optimum performance. Carefully designed heat sink keeps junction temperatures below unsuitable levels by keeping heat away from the LEDs Polycarbonate impact-resistant lens. Diffused lens allows for even light output, glare control, and conceals LEDs from view.

Labels / Compliance

CSA classified
CSA classified for damp locations

ORDERING INFO

RFL	6	CY				
Series	Diameter	Shape	Length	Watts/Lumens	Color Temp.	Finish
RFL	6 - 7.5"	CY - Cylinder	8 - 8" MTO - Made to order	8L - 12Watts/800 Lumens (120V) 11L - 17Watts/1100 Lumens (120V/277V)	27 - 2700K 30 - 3000K 35 - 3500K 40 - 4000K	BL - Black WH - White SL - Silver MTO - Made to order

Baffle or Reflector	Trim	Configuration	Mounting	Option
BLW - White BLSN - Satin Nickel BLC - Copper BLB - Black BLBZ - Bronze	RLCH - Chrome RLSN - Satin Nickel RLC - Copper RLB - Black RLBZ - Bronze RLH - Haze RLW - White	TLW - White TLSN - Satin Nickel TLC - Copper TLB - Black TLBZ - Bronze TLH - Haze	UL - Up-Light DL - Down-Light	PH ¹ - Pendant Hung SC ² - Single Cable DC - Double Cable TC - Triple Cable SM ^{3,4} - Surface Mount WM ³ - Wall Mount

1 18" standard length, consult factory for other
2 5ft standard cable length
3 Screws provided by others.
4 Available in downlight only
5 EM available in external remote location.



www.rayonlighting.com
info@rayonlighting.com

tel: 323.446.2626
fax: 323.446.2606

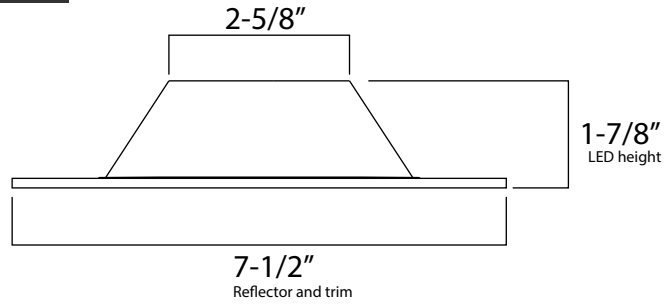
Specification and product availability
subject to change without notice



RFL6-CY-8
Architectural Cylinder

PROJECT: _____
MODEL #: _____
LOCATION: _____
CONTACT: _____

LED HEIGHT INSIDE CYLINDER



Architectural Cylinder



www.rayonlighting.com
info@rayonlighting.com

tel: 323.446.2626
fax: 323.446.2606

Specification and product availability
subject to change without notice