

**PROJECT:** \_\_\_\_\_

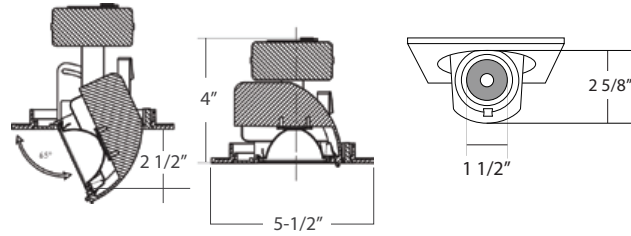
**MODEL #:** \_\_\_\_\_

**LOCATION:** \_\_\_\_\_

**CONTACT:** \_\_\_\_\_



**DIMENSIONS**



**Use Of Product**

The RFL4ES Series is the idea product for energy efficient lighting in existing, remodel, or new construction housings. This product may be used in hospitality, health care, commercial, retail, and residential applications. The Versatrim will reduce energy consumption, emits little heat, and reduces cooling loads for added costs savings. Approximately 75% in energy savings compared to incandescent light source.

**Construction**

- Lumens: 830 Lumens
- Finish: White, Black, Satin Nickel and Bronze
- Wattage: 12 Watts
- Voltage: 120V
- Color Temperature: 2700K, 3000K, 3500k, or 4000K
- R9 Value: 85
- Color Rendering Index: 93 CRI Typical
- LED Life: 50,000 hours
- LED Type: Cree LED for maximum light output
- Versatility: Interchangeable lens available in 19° and 38°; 365° horizontal rotations 65° vertical drop from nadir.
- Warranty: 5 Year Limited Warranty

**LED Driver**

Durable 120 Volt dimmable driver provides high power factor with the optimum thermal management to prevent damage caused by high temperature. Externally mounted LED driver provides for easy maintenance and convenient replacement.

**Dimming**

Available in 8 driver selections. Standard Triac/ELV, 120V. (018) 0-10V dimming in 800 lumens, 120-277V. (PEQ0) Lutron Hi-Lume Premier Ecosystem 0.1% w/soft on, fade to black dimming, 120-277V. (LDE1) Lutron Hi-Lume 1% Ecosystem with soft on, fade to black dimming, 120-277V. (LTE) Hi-Lume 1% 2-wire, 120V (EEI) eldoLED Eco 1% Dim (0-10V), 120-277V. (EDIO) eldoLED Solo 0.1% Dim(0-10V), 120-277V. (EDID) eldoLED Solo 0.1% Dim(DALI), 120-277V.

**Electrical Connection**

Included with the RFL4ES Series is a standard screw base adapter to easily retrofit incandescent light sources.

**Mounting**

Torsion springs supplied for convenient mounting to existing, remodel, or new construction housing

**Beam Option**

- Lens available in 19° and 38° beam angle
- Interchangeable lens and field replaceable
- Comes with clear lens cover

**Module Mechanics**

Fixture provides 359° horizontal rotation within module and 65° vertical drop from nadir.

**Labels/Compliance**

- CSA Classified
- Can be used for State of California Title 24 high efficacy luminaire compliance
- JA8 certified

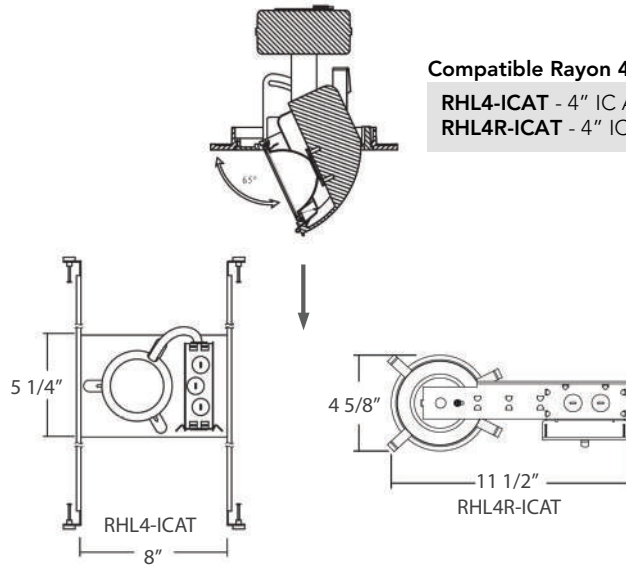
4" LED Recessed Module

**ORDERING INFO**

Series	Lumens	Color Temp.	Dimming	Finish	Beam Angle	Options
RFL4ES	8L - 830 Lumens	27 - 2700K 30 - 3000K 35 - 3500K 40 - 4000K	Leave blank - Triac/ELV 018 <sup>1</sup> - 0-10V Dimming (800 Lumens) LDE1 <sup>1</sup> - Lutron Hi-Lume 1% Ecosystem with soft on, fade to black dimming PEQ0 <sup>1</sup> - Lutron Hi-Lume Premier Ecosystem 0.1% w/soft on, fade to black dimming LDES <sup>1</sup> - Lutron Hi-Lume 5% Ecosystem LTE <sup>1,2</sup> - Hi-Lume 1% 2-wire EEI <sup>1,3</sup> - eldoLED Eco 1% Dim (0-10V) EDIO <sup>1,3</sup> - eldoLED Solo 0.1% Dim (0-10V) EDID <sup>1,3</sup> - eldoLED Solo 0.1% Dim (DALI)	W - White BL - Black BZ - Bronze SN - Satin Nickel	19 - 19° 38 <sup>1</sup> - 38°	SBA - Screw base adapter (Included) G-24 - GU24 adapter

1. Requires dedicated housing.  
2. 120V only.  
3. Must specify logarithmic or linear eldoLED driver.  
4. Standard beam angle

## DIMENSIONS



### Compatible Rayon 4" Housing

- RHL4-ICAT - 4" IC Air Tight New Construction LED housing
- RHL4R-ICAT - 4" IC Air Tight Remodel LED housing

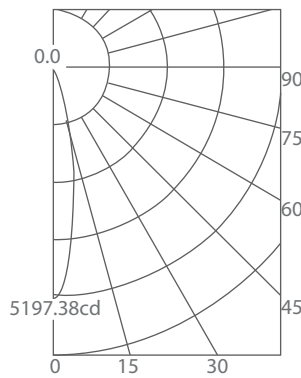
## PHOTOMETRICS

### 19° BEAM ANGLE

#### LIGHT SOURCE

LED Type	Cree
Voltage	120V
Current	0.114mA
Lumens	958.5lm
CCT	3000K
CRI	93+
Output Power	13.40W
Beam Angle	19°
Lumens Per Watt	71 lm/W

#### CANDELA CURVE



#### INTENSITY DISTRIBUTION

##### Cone of Light

Beam Angle: 19°

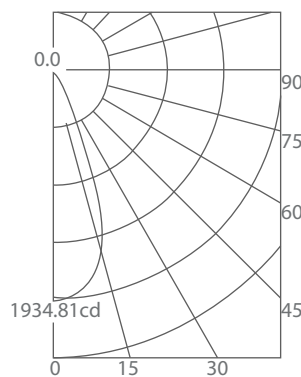
Distance to Illuminated Plane (ft)	Initial Nadir Foot Candles (fc)	Beam Diameter (ft)
6'	144.3	9.7
8'	81.2	13.0
10'	51.9	16.2
12'	36.0	19.4
14'	26.5	22.7
16'	20.3	25.9

### 38° BEAM ANGLE

#### LIGHT SOURCE

LED Type	Cree
Voltage	120V
Current	113mA
Lumens	935.7lm
CCT	3000K
CRI	93+
Output Power	13.20W
Beam Angle	38°
Lumens Per Watt	70 lm/W

#### CANDELA CURVE



#### INTENSITY DISTRIBUTION

##### Cone of Light

Beam Angle: 38°

Distance to Illuminated Plane (ft)	Initial Nadir Foot Candles (fc)	Beam Diameter (ft)
6'	53.7	9.7
8'	30.2	13.0
10'	19.3	16.2
12'	13.4	19.4
14'	9.8	22.7
16'	7.5	25.9