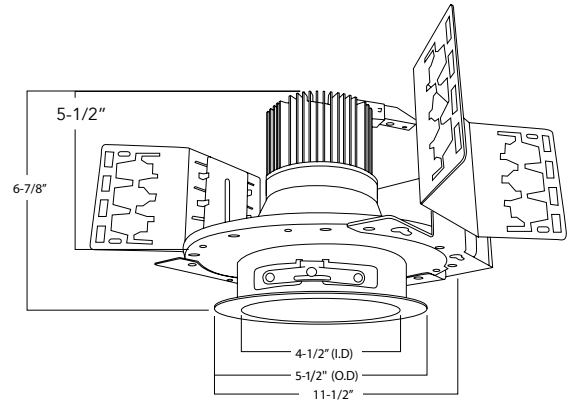


Project: _____
 Model: _____
 Location: _____
 Contact: _____



GENERAL INFORMATION

USE OF PRODUCT

The 4" Builders Plus LED New Construction Downlight series is the ideal product for energy efficient lighting in Non-IC new construction commercial applications. Available in three color temperatures and lumen packages. Deep cone reflector designed for anti-glare purposes.

BUILDERS PLUS FEATURES

Lumen Selectable:
 LS07 - 700 lm, 910 lm, 1340 lm, 1680 lm, 1850 lm
 Color Temperature Selectable:
 2700K, 3000K, 3500K, 4000K, 5000K
 Locking mechanism optional
 Optical Lens: 70° standard
 Color Rendering Index: 84+ CRI
 LED Life: 50,000 hours
 Driver Info: 120-277V; 50/60 Hz
 Operating Temperature: -30°C-40°C

LED ENGINE

LED engine available in 5CTS 2700K, 3000K, 3500K, 4000K, 5000K (LS07) in 84+ CRI. Color temperature may be modified in field or preset with locking mechanism. LED Mounted to aluminum heat sink for maximum life output and thermal management.

FRAME CONSTRUCTION

Architectural frame includes butterfly brackets to accommodate c-channel or flat bar hangers to tie down to ceiling grids. Junction box mounted to frame for easy wire access and for driver installation/replacement.

DIMMING

LED driver accommodates 120-277V input with 0-10V dimming protocol. Fixture available in three selectable lumen packages. LS07 (700 lm, 910 lm, 1330 lm, 1680 lm, 1940 lm). Lumens may be modified in field or optional lumen locking mechanism available upon request.

TRIM

Self-flanged spun aluminum reflector with frosted lens to shield direct view from LEDs. Reflector available in haze finish with white trim.

EMERGENCY BATTERY

Optional emergency battery available for a minimum of 90 minutes with both integral or remote test switch in 800 delivered lumens.

INSTALLATION

Non-IC housing. Insulation must be kept at least 3" away from fixture.

LABELS/COMPLIANCE

- cUL listed
- Energy Star
- Title 24
- Wet location
- 5-year limited warranty

ORDERING INFORMATION

SERIES	HOUSING	LUMENS	COLOR TEMPERATURE SHIFT	REFLECTOR	TRIM	FRAME ACCESSORIES
RBC4	FN - New Construction	LS07 ¹ - Lumen Selectable (730, 950, 1400, 1770, 1940 lm) LL07 - Lumen Locked at 730 lm LL09 - Lumen Locked at 950 lm LL13 - Lumen Locked at 1400 lm LL16 - Lumen Locked at 1770 lm LL19 - Lumen Locked at 1940 lm	5CTS - Color Temp. Selectable (2700K, 3000K, 3500K, 4000K, 5000K) CT27 - Locked at 2700K CT30 - Locked at 3000K CT35 - Locked at 3500K CT40 - Locked at 4000K CT50 - Locked at 5000K	W - White H - Haze	W - White	C - C-Channel Bar Hanger UH - Universal Bar Hanger

OPTIONS

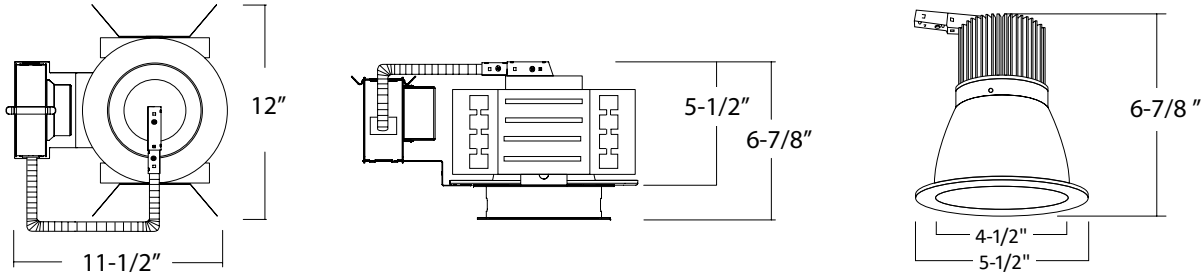
- EI8W** - Emergency Battery with Integral Switch (8 Watts)
- ER8W** - Emergency Battery with Remote Switch (8 Watts)
- EI15W** - Emergency Battery with Integral Switch (15 Watts)
- ER15W** - Emergency Battery with Remote Switch (15 Watts)

Notes

1. Lumen selectable between 700 lm, 910 lm, 1340 lm, 1680 lm, 1850 lm. Lumens may be modified in field.



DIMENSIONS



WATT/LUMEN CHART

WATTS	LUMENS	CRI
8W	730 lm	84+
11W	950 lm	84+
18W	1400 lm	84+
25W	1770 lm	84+
29W	1940 lm	84+

*Values are listed in 35000K.

LIST OF COMPATIBLE DIMMERS

(120/277V 0-10 Dimming)

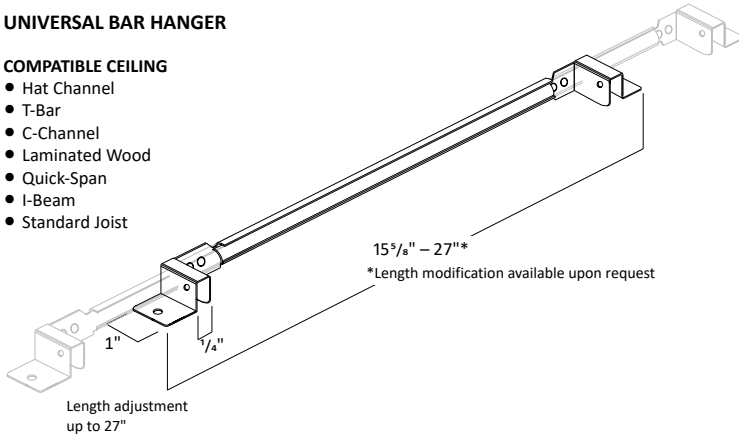
MFR	MODEL#	DIMMING RATE
Lutron	NFTV	1-100%
Lutron	NTSTV-DV	1-100%
Legrand	CD4FBLW	1-100%
Leviton	1P710-DL	1-100%

FRAME ACCESSORIES

UNIVERSAL BAR HANGER

COMPATIBLE CEILING

- Hat Channel
- T-Bar
- C-Channel
- Laminated Wood
- Quick-Span
- I-Beam
- Standard Joist



C-CHANNEL BAR HANGER

